



CIRCUIT-LOCK®
 30, 60, 100 Ampere
 Unfused Pin & Sleeve
 Mechanical Interlock

HUBBELL



New 100A Version

Hubbell's fastest growing safety product line has just been expanded. The National Electrical Code® requires a separate disconnect means within sight of all motor loads. Hubbell's revolutionary CIRCUIT-LOCK interlock incorporates the disconnect switch and receptacle in one compact nonmetallic and economical unit. At the same time, it eliminates the possibility of making or breaking the circuit under load or making a

casual or "lazy" connection. The switch cannot be turned "ON" until the plug is inserted properly, and the plug cannot be removed until the switch is turned "OFF". The nonmetallic enclosure can be connected to metallic conduit and not interfere with the ground continuity. In addition, these horse power rated units are durable, watertight and easy to install.

Features

- Nonmetallic enclosure
- Horsepower rated disconnect switch
- Mechanically interlocked
- Accepts auxiliary contact
- Large, high visibility, padlockable, red handle

Benefits

- Type 4X (Watertight, Washdown, Corrosion Resistant) Type 12 (Dusttight).
- Handles large motor loads.
- Prevents make or break under load.
- Capability to signal PLC controllers.
- The switch position is readily visible from a distance and accepts a 5/16" padlock to meet OSHA Lockout/Tagout regulation.





Specifications

Typical Specifications

Manufacturer's Description	Identification Hubbell 4100MI7W CIRCUIT-LOCK Pin and Sleeve Mechanical Interlock.
Electrical Type	3 Pole + Earth.
Rating	100A 480V 3Ø
Configuration	IEC Clock position 7.
Enclosure Type	Outdoor-4X (Watertight, Washdown) Indoor-12 (Dusttight, Falling Dirt and Noncorrosive Liquids) – IP67.
Enclosure Material	Nonmetallic, enclosure suitable for metallic conduit.
Certification	UL Listed, CSA Certified.
Materials	UV resistant thermoplastic Valox® top and base. High heat thermoset interiors, 300 series stainless steel enclosure screws, zinc watertight conduit hub.

Performance

Electrical

Dielectric Voltage Withstand	3000V Min.
Max. Working Voltage	600V RMS.
Current Interrupting	Certified for current interrupting at full rated current and voltage.
Short Circuit Withstand Rating	Suitable for use on a circuit capable of delivering not more than 10,000 RMS symmetrical amperes at the voltage rating of the receptacle.

Operations

Mechanical 10,000 Cycles Electrical 6,000 Cycles.

Mechanical

Impact Resistance	In accordance with UL 746C.
Terminal Identification	In accordance with UL, CSA and international conventions.
Product Identification	Identification and ratings are part of the external label and molded into the receptacle mount.
Mounting	External adjustable feet.

Environmental

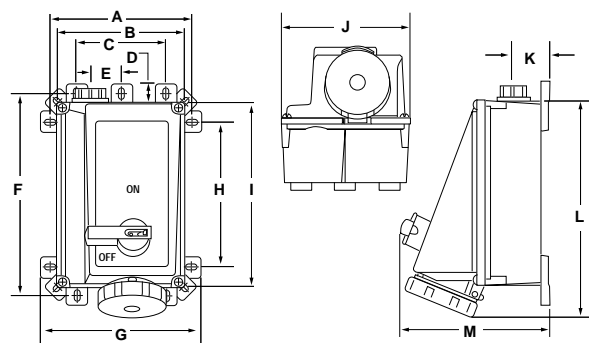
Moisture Resistance	Outdoor-4X (Watertight, Washdown) Indoor-12 (Dusttight, Falling Dirt and Noncorrosive Liquids) IP67.
Flammability	UL94-5VA and VO Classification.
Operating Temperature	Max. Continuous +60°C; Min. Continuous -40°C.
UV Resistance	All materials are UV stabilized.

Horsepower Ratings

Cat. No.	Poles and Wires	Amps	Rating	Horsepower	Use Pin & Sleeve Plug Cat.No.
330MI4W	2P3W	30	120V AC	2	330P4W
330MI6W	2P3W	30	240V AC	3 (208-240V AC)	330P6W
330MI7W	2P3W	30	480V AC	7.5	330P7W
430MI5W	3P4W	30	600V AC 3Ø	20	430P5W
430MI7W	3P4W	30	480V AC 3Ø	15	430P7W
430MI9W	3P4W	30	240V AC 3Ø	7.5	430P9W
432MI3W	3P4W	32	380V AC 3Ø 50Hz 440V AC 3Ø 60Hz	15 (440V AC3Ø 60Hz)	432P3W
530MI5W	4P5W	30	347/600V AC 3ØY	20	530P5W
530MI7W	4P5W	30	277/480V AC 3ØY	15	530P7W
530MI9W	4P5W	30	120/208V AC 3ØY	5	530P9W
360MI4W	2P3W	60	120V AC	3	360P4W
360MI6W	2P3W	60	240V AC	7.5 (208-240V AC)	360P6W
360MI7W	2P3W	60	480V AC	20	360P7W
460MI5W	3P4W	60	600V AC 3Ø	40	460P5W
460MI7W	3P4W	60	480V AC 3Ø	30	460P7W
460MI9W	3P4W	60	240V AC 3Ø	15	460P9W
560MI5W	4P5W	60	347/600V AC 3Ø Y	40	560P5W
560MI7W	4P5W	60	277/480V AC 3Ø Y	30	560P7W
560MI9W	4P5W	60	120/208V AC 3Ø Y	15	560P9W
3100MI6W	2P3W	100	240V AC	15 (10 @ 208V AC)	3100P6W
4100MI5W	3P4W	100	600V AC 3Ø	50	4100P5W
4100MI7W	3P4W	100	480V AC 3Ø	50	4100P7W
4100MI9W	3P4W	100	240V AC 3Ø	25	4100P9W
5100MI9W	4P5W	100	120/208V AC 3ØY	20	5100P9W

Dimensional Information

KEY	30A		60A		100A	
	INCH	MM	INCH	MM	INCH	MM
A	7.75	196.9	7.75	196.9	7.75	196.9
B	6.87	174.5	6.87	174.5	6.87	174.5
C	4.75	120.7	4.75	120.7	4.75	120.7
D	1.02	25.9	1.02	25.9	1.02	25.9
E	1.60	40.6	1.46	37.1	1.46	37.1
F	11.00	279.4	12.75	323.9	12.75	323.9
G	8.75	222.3	8.75	222.3	8.75	222.3
H	8.00	203.2	9.75	247.7	9.75	247.7
I	10.12	257.0	11.87	301.5	11.87	301.5
J	6.88	174.8	6.88	174.8	6.88	174.8
K	1.93	49.0	2.09	53.1	2.09	53.1
L (3&4 Wire)	11.00	279.4	13.65	346.7	13.65	346.7
L (5 Wire)	11.59	294.4	13.65	346.7	13.65	346.7
M	7.75	196.9	8.60	218.4	9.30	236.2



Wiring Device - Kellems

Hubbell Incorporated (Delaware) • 185 Plains Road • Milford, CT 06460-2420 • (203) 882-4800 • FAX (800) 255-1031
World Wide Web URL: <http://www.hubbell-wiring.com>

Worldwide Locations

Hubbell Canada (905) 839-1138, Fax (905) 839-9108
Hubbell Ltd. England (441) 234-855444, Fax (441) 234-854008
Hubbell-Taian Co., Ltd., (886) 2 567-5995, Fax (886) 2 567-4853
Hubbell Int'l. Inc., Korea Branch (82) 2 607-1362, Fax (82) 2 603-7386

Hubbell de Mexico, S.A. de C.V. (52) 5 575-2022, Fax (52) 5 559-8626
Caribe Sales Agencies, Puerto Rico (809) 720-7185, Fax (809) 789-2796
Hubbell S.E. Asia Pte., Ltd., 65-4544772, Fax 65-4544775
Hubbell Inc. Middle East (971) 4 369-763, Fax (971) 4 360-541

Printed In U.S.A. Specifications subject to change without notice. ® Registered trademark of Hubbell Incorporated
© Valox is a registered trademark of GE Company