



Circuit Guard® GFCI Plug

HUBBELL



Hubbell expands the line of Circuit Guard portable ground fault circuit interrupting products to include user attachable GFCI plugs. Hubbell GFCI plugs are available in both yellow and black colors and are rated at 15A, 120V AC. The yellow plug is also available in a factory pre-wired 1 foot GFCI line cord. Hubbell GFCI plugs are designed to allow portable equipment manufacturers the ability to provide ground fault protection on their equipment.

Ground fault circuit interrupters protect people from the hazards of line-to-ground electrical current leakage that can occur in electrical appliances and tools, especially when used in damp or wet locations. If a ground fault occurs and the leakage exceeds 4 to 6 milliamperes, the unit quickly interrupts the power supply and limits the duration of electrical shock.

Features

- High impact, UV resistant PVC housing.
- Heavy duty cord clamp.
- Large neon power "ON" light.
- Recessed one piece sealed keypad
- Manual set.

Benefits

- Abuse, sunlight and chemical resistant for longer life and superior performance.
- Relieves strain and prevents pull out from wiring terminations.
- Positive verification of power status.
- Easy to operate and abuse resistant.
- Prevents unintentional restart of equipment after loss of primary power.



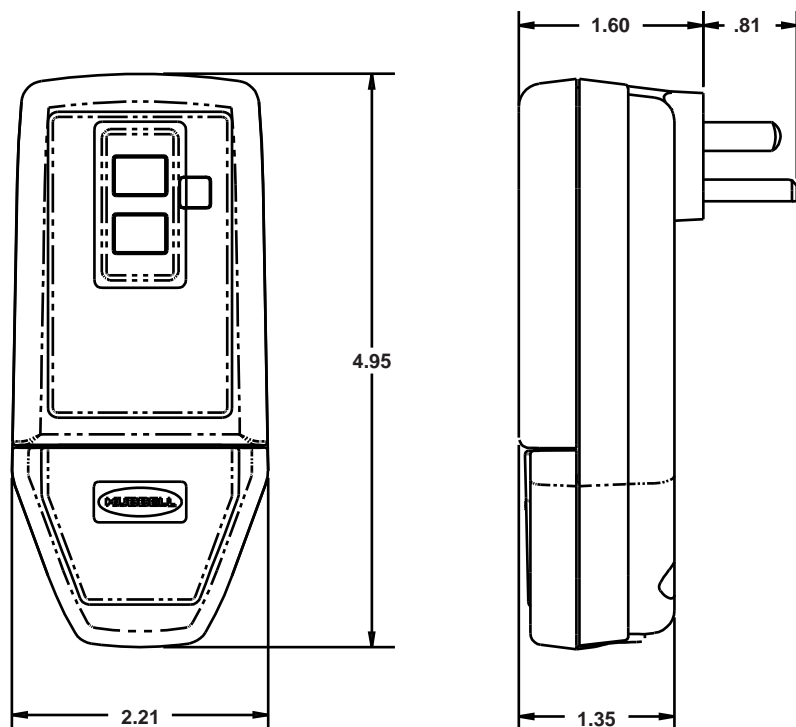
Ordering Information

Description	Rating	Catalog Number
GFCI Plug, Manual Set, Black	2 pole, 3 wire, 15A, 120V AC, NEMA 5-15P	GFP5266C
GFCI Plug, Manual Set, Yellow	2 pole, 3 wire, 15A, 120V AC, NEMA 5-15P	GFP5266CY
GFCI Plug with 1 foot line cord, Manual Set, Yellow	2 pole, 3 wire, 15A, 120V AC, NEMA 5-15P/ NEMA 5-15R	GFP1C

Specifications

Trip Level	4 to 6 mA.
Trip Time	.025 sec. nominal.
Frequency	60 Hz.
Voltage	120V AC + 10% - 15%, Incorporates no voltage release feature.
Current	15A.
Maximum Interrupting Capacity	2000A.
Operating Temperature	-35°C to +66°C or -30°F to +150°F.
Maximum Humidity	95%.
Housing	High-impact, UV stabilized rigid PVC. 94V-0 flammability classification.
Input	NEMA 5-15P.
Cord Range (GFP5266C, GFP5266CY)	16/3 - 12/3 Type SJ, 18/3 - 12/3 Type S
Cord Type; Length (GFP1C)	14/3 Type SJTW-A (UL), SJTW (CSA); 1 foot; NEMA 5-15R
Power "ON" Indication	Neon indicator light.
Listings	UL Listed, CSA Certified.
Codes	Meets all 1996 NEC® and 1994 CEC requirements.

Dimensions



For more information on the complete line of Hubbell ground fault circuit interrupters, consult brochure number H4511.



® Wiring Device - Kellems

Hubbell Incorporated (Delaware) • 185 Plains Road • Milford, CT 06460-2420 • (203) 882-4800 • FAX (800) 255-1031
World Wide Web URL: <http://www.hubbell-wiring.com>

Worldwide Locations

Hubbell Canada (905) 839-1138, Fax (905) 839-9108
Hubbell Ltd. England (441) 234-855444, Fax (441) 234-854008
Hubbell-Taian Co., Ltd., (886) 2 567-5995, Fax (886) 2 567-4853
Hubbell Int'l. Inc., Korea Branch (82) 2 607-1362, Fax (82) 2 603-7386

Hubbell de Mexico, S.A. de C.V. (52) 5 575-2022, Fax (52) 5 559-8626
Caribe Sales Agencies, Puerto Rico (809) 720-7185, Fax (809) 789-2796
Hubbell S.E. Asia Pte., Ltd., (65) 382-1600, Fax (65) 382-3727
Hubbell Inc. Middle East (971) 4 369-763, Fax (971) 4 360-541