

H-MOSS Adaptive  
Technology Wall Switches

  
**HUBBELL**

**Never again will the lights go out  
while you're still in.**



**Introducing Hubbell Adaptive Technology Occupancy Sensors.  
You don't adapt to it. It adapts to you.**

#### Features

- Adaptive technology.
- Push button ambient light control.
- Three color LED indicator.
- Front press switch.

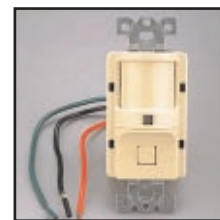
#### Benefits

- Eliminates the need for manual adjustment of the time delay setting. The sensor automatically adjusts the time delay to fit the application. Reduces installation time and cost.
- Allows for quick, accurate setting of the ambient light level threshold.
- Provides visual indication of sensor status.
- Allows the occupant to switch the sensor from automatic mode to momentary off mode (30 minutes after last motion, switch returns to auto mode).



## Ordering Information

Description	Catalog Number
Adaptive Technology wall switch, ivory, 120V AC.	<b>AT120I</b>
Adaptive Technology wall switch, white, 120V AC.	<b>AT120W</b>
Adaptive Technology wall switch, ivory, 277V AC.	<b>AT277I</b>
Adaptive Technology wall switch, white, 277V AC.	<b>AT277W</b>



## Specifications

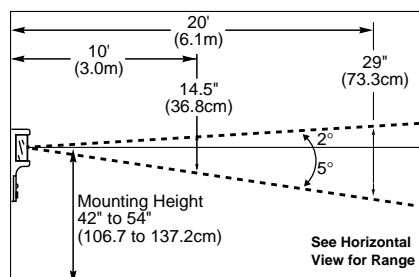
Electrical	AT120I/AT120W	AT277I/AT277W
Voltage	120V AC	277V AC
Maximum Load	25 to 1500 watts, incandescent or fluorescent	25 to 1500 watts, fluorescent
Agency Approvals	UL Listed	UL Listed
<b>Physical</b>	<b>All Sensors</b>	
Housing	Flame retardant UL 94 V-0 ABS	
Lens	Polyethylene	
<b>Environmental</b>	<b>All Sensors</b>	
Operating*	32°F to 122°F ( 0°C to 50°C ); 20% to 90% non-condensing relative humidity	
Storage	-40° F to 150° F ( -40°C to 65°C ); 20% to 90% non-condensing relative humidity	
<b>Controls</b>	<b>All Sensors</b>	
Time delay	Digital, test (15 seconds), adaptive 2 to 30 minutes	
① Ambient light	Digital, push button, 0 to 500 foot candles	
② Front Press Switch	Auto/Momentary Off (30 minutes after last motion, switch returns to auto mode)	
③ Service Switch	Auto/Off	



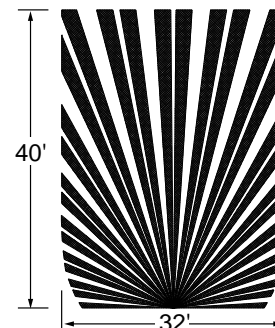
\*With rate of change not exceeding 20°F (11°C) per hour

## Coverage Pattern

**Vertical Field of View**

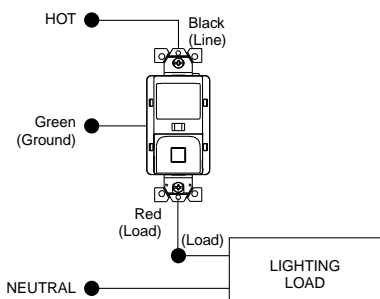


**Horizontal Field of View**

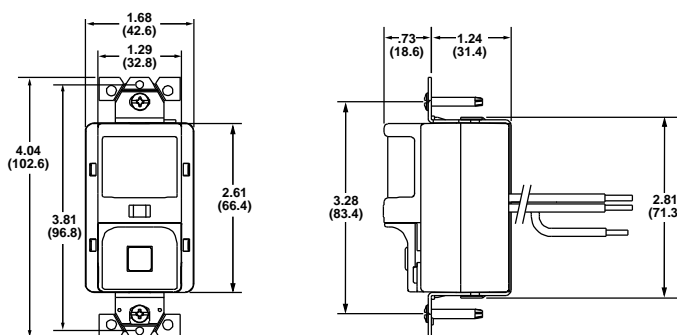


## Wiring Schematic and Dimensions

**NORMAL WIRING**



**DIMENSIONS**



## Wiring Device - Kellems

Hubbell Incorporated (Delaware) • 185 Plains Road • Milford, CT 06460-2420 • (203) 882-4800 • FAX (800) 255-1031  
World Wide Web URL: <http://www.hubbell-wiring.com>

### Worldwide Locations

Hubbell Canada (905) 839-1138, Fax (905) 839-9108  
Hubbell Ltd. England (441) 234-855444, Fax (441) 234-854008  
Hubbell-Taian Co., Ltd., (886) 2 567-5995, Fax (886) 2 567-4853  
Hubbell Int'l. Inc., Korea Branch (82) 2 607-1362, Fax (82) 2 603-7386

Hubbell de Mexico, S.A. de C.V. (52) 5 575-2022, Fax (52) 5 559-8626  
Caribe Sales Agencies, Puerto Rico (809) 720-7185, Fax (809) 789-2796  
Hubbell S.E. Asia Pte., Ltd., (65) 382-1600, Fax (65) 382-3727  
Hubbell Inc. Middle East (971) 4 369-763, Fax (971) 4 360-541