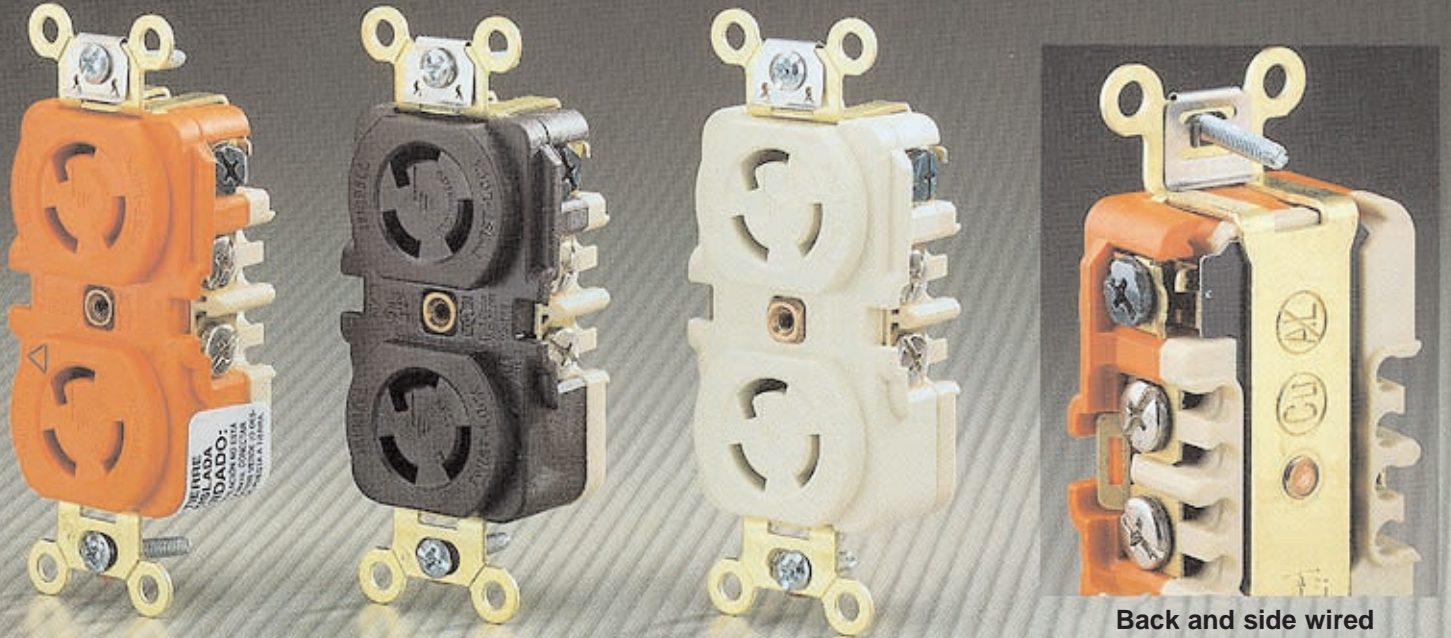


Duplex Twist-Lock® Receptacle

15 Amp Devices Including Isolated Ground and Corrosion Resistant Devices

HUBBELL



Back and side wired terminations, including ground

Hubbell Wiring Device-Kellems introduces a new line of duplex Twist-Lock receptacles designed to deliver premium service and long life. This new product design establishes a new standard for 15 amp locking receptacles. A reinforced thermoplastic top and base encapsulate the brass alloy contacts which are locked together by tabs on the mounting strap for

unequaled assembly strength. Wiring and installation has been improved with back and side wire terminations, integral wire restraints, and combination head screws. The addition of split circuit capability offers flexibility. Available in 2 pole, 3 wire configurations including isolated ground and corrosion resistant versions.

Features

- Reinforced thermoplastic construction.
- Single piece, all brass contacts.
- Brass mounting strap with stainless steel grounding clip.
- All terminals are back and side wire including the ground.
- Single point break-off tabs.
- Mounting strap tabs lock the body and base together.

Benefits

- High impact and heat resistance provides maximum safety and long life.
- Superior spring characteristics for increased contact force, secure connections and longer life.
- High-conductivity, corrosion resistant material for reliable, low resistance to fault currents.
- Easy and reliable installation for stranded and solid wire.
- Redesigned to provide split circuit capability in the field.
- The assembly locks together to make the most abuse resistant receptacle ever.

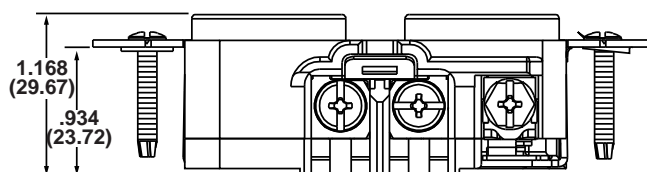
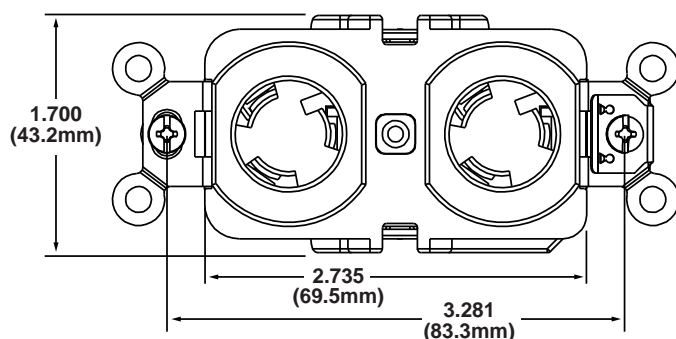


Ordering Information - Duplex Twist-Lock Receptacles

Catalog Number	Rating	NEMA	Description
HBL4700	15 Amp 125 Volt	L5-15R	Brown
HBL4700CN*	15 Amp 125 Volt	L5-15R	Brown
HBL4700I	15 Amp 125 Volt	L5-15R	Ivory
HBL47CM00	15 Amp 125 Volt	L5-15R	Yellow, Corrosion Resistant
IG4700A	15 Amp 125 Volt	L5-15R	Orange, Isolated Ground
IG4700ACN*	15 Amp 125 Volt	L5-15R	Orange, Isolated Ground
HBL4550	15 Amp 250 Volt	L6-15R	Brown
IG4550A	15 Amp 250 Volt	L6-15R	Orange, Isolated Ground
HBL4750	15 Amp 277 Volt	L7-15R	Brown
HBL7580†	10A 250V/15A 125A	N/A	Black (replacement use only)
HBL7580G†	10A 250V/15A 125A, grounding	N/A	Black (replacement use only)

* Robertson/combo screw terminations, † Non NEMA, Not UL Listed, Not CSA Certified, Not Fed. Spec. W-C-596G

Dimensions



Specification Data

Materials

Component	Material
Base	RTP [§]
Top	RTP [§]
Power Contacts	Brass Alloy
Ground Contact	Brass Alloy
Mounting Strap	Brass
Blind Rivet	Stainless Steel
Center Rivet	Bronze
Terminal Screws	Brass
Clamp Nuts	Plated Steel
Ground Wire Clamp	Brass
Auto Ground Clip	Stainless Steel
Mounting Screws	Plated Steel
Washer	Fiber
Insulator [™]	Phenolic

Certification

UL	UL498
UL Federal Specification	W-C-596G
CSA	C22.2 No.42

[§]Reinforced thermoplastic polyester

[™]Isolated Ground Devices Only

Performance Data

Electrical

Dielectric Voltage	Withstands 2000V minimum.
Max. Working Voltage	277V.
Current Interrupting	Certified for current interrupting at full rated current.
Temperature Rise	Max. 30°C temperature rise at full rated current after 50 cycles of overload with direct current at 150% of rated current.

Mechanical

Terminal Identification	Terminals identified in accordance with UL498 (brass, white, green).
Terminal Accommodation	#14-10 AWG copper Conductors only, Back and side wired.
Product Identification	Ratings are a permanent part of the device.

Environmental

Operating Temperature	Maximum continuous 40°C, minimum -25°C.
-----------------------	---



® Wiring Device - Kellems

Hubbell Incorporated (Delaware) • 185 Plains Road • Milford, CT 06460-2420 • (203) 882-4800 • FAX (800) 255-1031
World Wide Web URL: <http://www.hubbell-wiring.com>

Worldwide Locations

Hubbell Canada (905) 839-1138, Fax (905) 839-9108
Hubbell Ltd. England (441) 234-855444, Fax (441) 234-854008
Hubbell-Taian Co., Ltd., (886) 2 515-0855, Fax (886) 2 515-0899
Hubbell Int'l. Inc., Korea Branch (82) 2 607-1362, Fax (82) 2 603-7386
Hubbell de Mexico, S.A. de C.V. (52) 5 575-2022, Fax (52) 5 559-8626

Caribe Sales Agency, Puerto Rico (809) 720-7185, Fax (809) 789-2796
Hubbell S.E. Asia Pte., Ltd., 65-4544772, Fax 65-4544775
Hubbell Inc. Middle East (971) 4 369-763, Fax (971) 4 360-541
Hubbell Turkey (011)-90-216-3497047, Fax (011)-90-216-349-6737