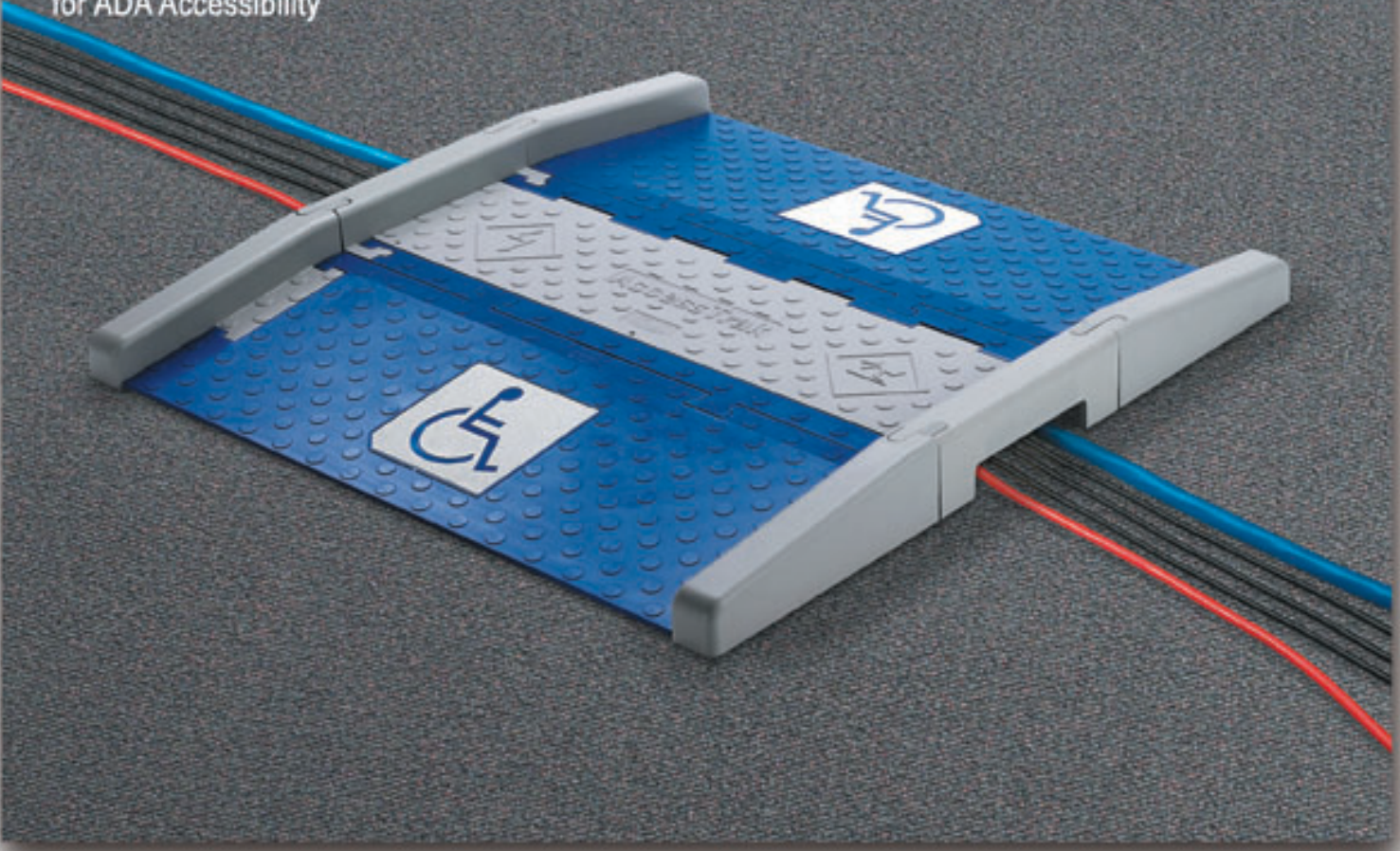




AccessTrak™

Modular Cable Protection System
for ADA Accessibility

HUBBELL



Accessible Safe Hubbell

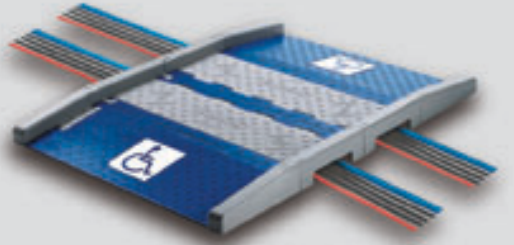
Features

- Meets ADA AG (American Disabilities Act Accessibility Guidelines).
- Symbol of accessibility on the product.
- Patented keyway locking system provides tamper resistance.
- Kit form allows for simplified ordering and shipment.
- Polyurethane construction is nonconductive and suitable for indoor or outdoor use.

Expandable!



AccessTrak expanded by length.



AccessTrak expanded by width.

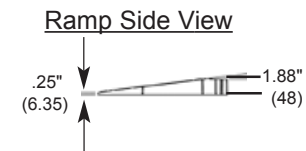
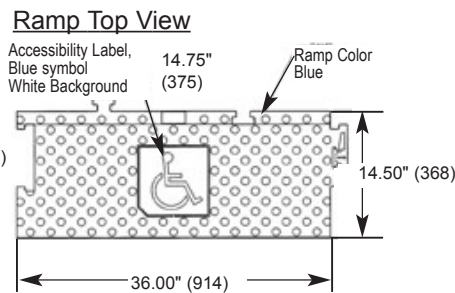
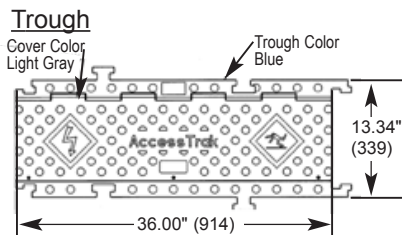
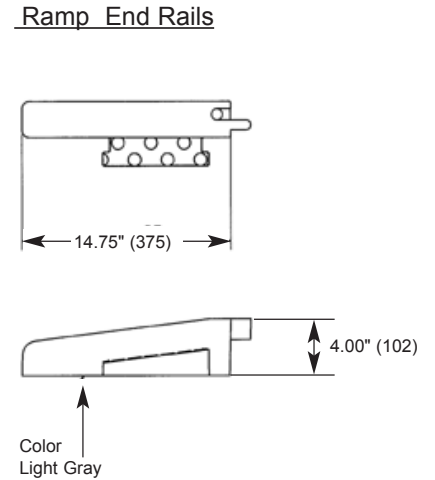
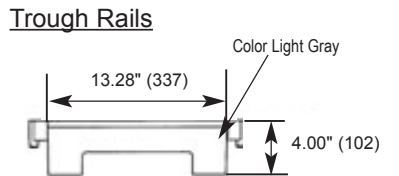
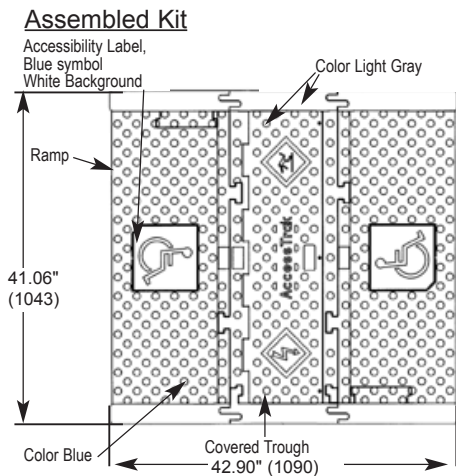


Description	Catalog Number	Length inches/mm	Height inches/mm	Weight lbs/kg	Channel	
					Width inches/mm	Height inches/mm
AccessTrak Kit*	HBLAT5KIT	42.90" (1090)	4.00" (102)	59.85 (21.15)	1.34" (34)	1.31" (33)
AccessTrak Trough	HBLAT5	38.25" (972)	1.94" (49)	17.26 (7.83)	1.34" (34)	1.31" (33)
AccessTrak Trough End Rails (set)	HBLAT5ER	16.03" (407)	4.00" (102)	5.21 (2.36)		
AccessTrak Ramps (set)	HBLAT5RAMP	38.00" (965)	1.94" (49)	24.78 (11.24)		
AccessTrak Ramp End Rails (set)	HBLAT5RAMPER	16.16" (410)	4.00" (102)	6.30 (2.86)		

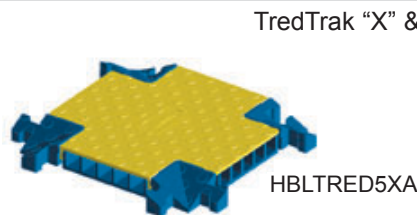
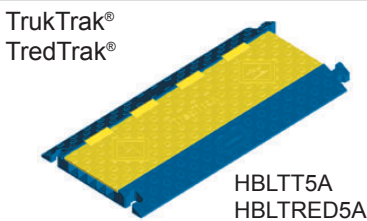
*Consists of (1) HBLAT5; (1 set) HBLAT5ER; (1 set) HBLAT5RAMP; (2 sets) HBLAT5RAMPER

Specification Data

Material	Reaction injection molding (RIM) polyurethane	Safety Symbols	Per ANSI.Z535.3-1991
No. of Channels	5 Channels	ADA Symbols	Per ADAAG "Symbols of Accessibility"
Operating Temp.	-40°F to +120°F	Maximum Load lbs. (N)	10,500 (46,700) at 70°F, 8,000 (35,580) at 120°F
Hinge Material	Reinforced fiberglass	Maximum Load Footprint inches/mm	7"x7" (178x178)



Other Cable Protection Products



Wiring Device-Kellems

Hubbell Incorporated (Delaware) • 185 Plains Road • Milford, CT 06460-2420 • (203) 882-4800 • FAX (800) 255-1031
World Wide Web URL: <http://www.hubbell-wiring.com>

Worldwide Locations

Hubbell Canada (905) 839-1138, Fax (905) 839-9108
Hubbell Ltd. England (441) 234-855444, Fax (441) 234-854008
Hubbell-Taian Co., Ltd., (886) 2 567-5995, Fax (886) 2 567-4853

Hubbell de Mexico, S.A. de C.V. (52) 5 575-2022, Fax (52) 5 559-8626
Caribe Sales Agencies, Puerto Rico (809) 720-7185, Fax (809) 789-2796