

Hubbell has added 20A Mechanical Interlocks to its popular Circuit-Lock® family of switched enclosures. They provide the innovative features, durability and safety you expect from Hubbell.

Meets NEC® Requirements

Hubbell's Circuit-Lock® Mechanical Interlock incorporates the disconnect switch/manual motor controller and receptacle in one compact non-metallic and economical unit. The National Electrical Code® requires a separate disconnect means within sight of motor loads and permits the manual motor controller in a motor-circuit to be listed as "Suitable as Motor Disconnect".

Performance Proven

Circuit-Lock® eliminates the possibility of connection or disconnection of the plug under load or making a casual or "lazy" connection. The switch cannot be turned "ON" until the plug has been inserted properly, and the plug cannot be removed until the switch is turned "OFF". Heavy duty Valox®, construction provides superior performance in harsh environments subject to washdown, dirt and corrosion.

In addition, these new horsepower rated units are easy to install and provide a method for lock out in compliance with OSHA Lockout/Tagout regulation. They are compatible with IEC 60309-2 plugs.

Upgrade your facility today to the safety, reliability and convenience of Circuit-Lock® Mechanical Interlocks!

Additional Features

- Color coded rating pads identify voltage
- Two-stage interlocking mechanism to help defeat tampering
- Adjustable mounting feet
- DIN rail mounted switch for easy installation and replacement
- Pre-wired IEC Pin & Sleeve Receptacle



**Now Available
in 20 Amp**



Ordering Information

Amps	Poles & Wires	Configuration		Voltage	Horsepower Rating	Catalog Numbers	
		Receptacle	Plug			Mechanical Interlock	Mating Plug
20	3P4W			120/240V AC	2	HBL420MI12W	HBL420P12W
20	3P4W			3Ø 240V AC	5	HBL420MI9W	HBL420P9W
20	3P4W			3Ø 480V AC	10	HBL420MI7W	HBL420P7W
20	3P4W			3Ø 600V AC	10	HBL420MI5W	HBL420P5W



Mechanical Interlock



Mating Plug

Description	Catalog Numbers
Auxiliary Contact - "Break After Main Break", 1 set of n/o contacts, 1 set of n/c contacts	HBLAC1
Auxiliary Contact - "Break Before Main Break", 1 set of n/o contacts	HBLAC2
Ground block	HBL30RGB
Neutral Block	HBL30RNB
Replacement Switch	HBLDS3RS
Watertight Closure Plug Kits	MICPK30



HBLAC1

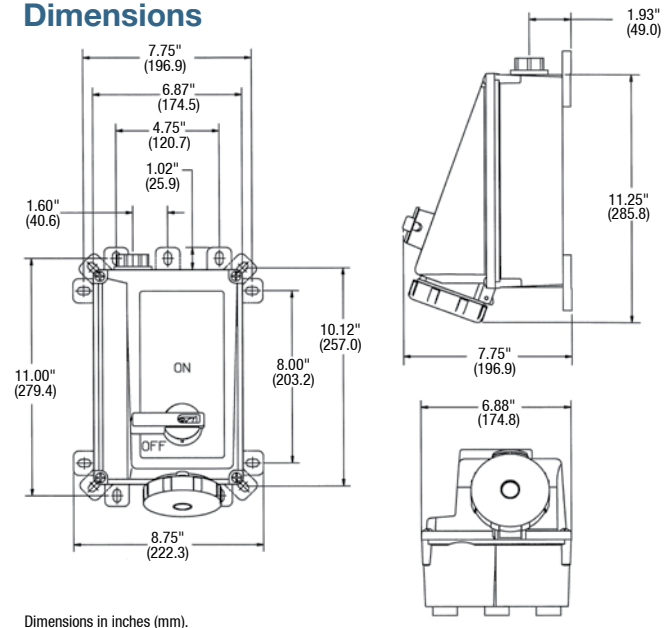
Specifications

Typical Specifications	
Manufacturer's I.D.	Hubbell HBL420MI9W.
Description	Circuit-Lock® Pin & Sleeve Mechanical Interlock.
Electrical Type	3 Pole + Earth.
Rating	20A 3Ø 240V AC
Configuration	IEC 309-2 Clock Position 9
Enclosure Type	Outdoor-4X (Watertight, Washdown) Indoor - 12 (Dusttight, Falling Dirt and Non Corrosive Liquids)
Ingress Protection	IP67 Suitability
Enclosure Material	Non-metallic enclosure suitable for metallic conduit
Certification	UL Listed, CSA Certified

Materials

Part	Materials	Part	Materials
Base	Valox®	Hinge Pins	Nickel Plated Brass
Top	Valox®	Conduit Hub	Zinc Watertight
Handle	Valox®	Shaft	Zytel®
Enclosure Gasket	Neoprene	Ground Plate	Galvanized Steel
Shaft Seal	Neoprene	Enclosure Inserts	Brass
Enclosure Screws	Stainless Steel 300 Series	Hinge Spring	Stainless Steel 300 Series.

Dimensions



Performance

Electrical	Environmental
Dielectric Voltage	Moisture Resistance
Withstands 3,000V AC Min.	Outdoor - 4X (Watertight, Washdown) Indoor - 12 (Dusttight, Falling Dirt and Noncorrosive Liquids).
Max. Working Voltage	Ingress Protection
600V AC RMS.	IP67 Suitability.
Current Interrupting	Flammability
Certified for current interrupting at full rated current and voltage.	UL94-5VA and V-0 Classification.
Short Circuit	Operating Temperature
Suitable for use on a circuit capable of delivering not more than 10,000	Max. Continuous +75°C; Min. Continuous -40°C.
Withstand Rating	UV Resistance
RMS symmetrical amperes at the voltage rating of the receptacle.	All materials are UV stabilized.
Operations	
Mechanical 10,000 cycles, electrical 6,000 cycles.	
Mechanical	
Impact Resistance	
In accordance with UL 746C.	
Terminal Identification	
In accordance with UL, CSA and international conventions.	
Product Identification	
Identification and ratings are part of the external label and molded into the receptacle mount.	
Mounting	
External adjustable feet.	

© Valox is a registered trademark of GE Company. © Zytel is a registered trademark of Dupont.

© Registered trademark of Hubbell Incorporated. Printed In U.S.A. Specifications subject to change without notice

Hubbell Incorporated (Delaware) • 185 Plains Road • Milford, CT 06461-2420 • (203) 882-4800 • FAX (800) 255-1031

H5220

