

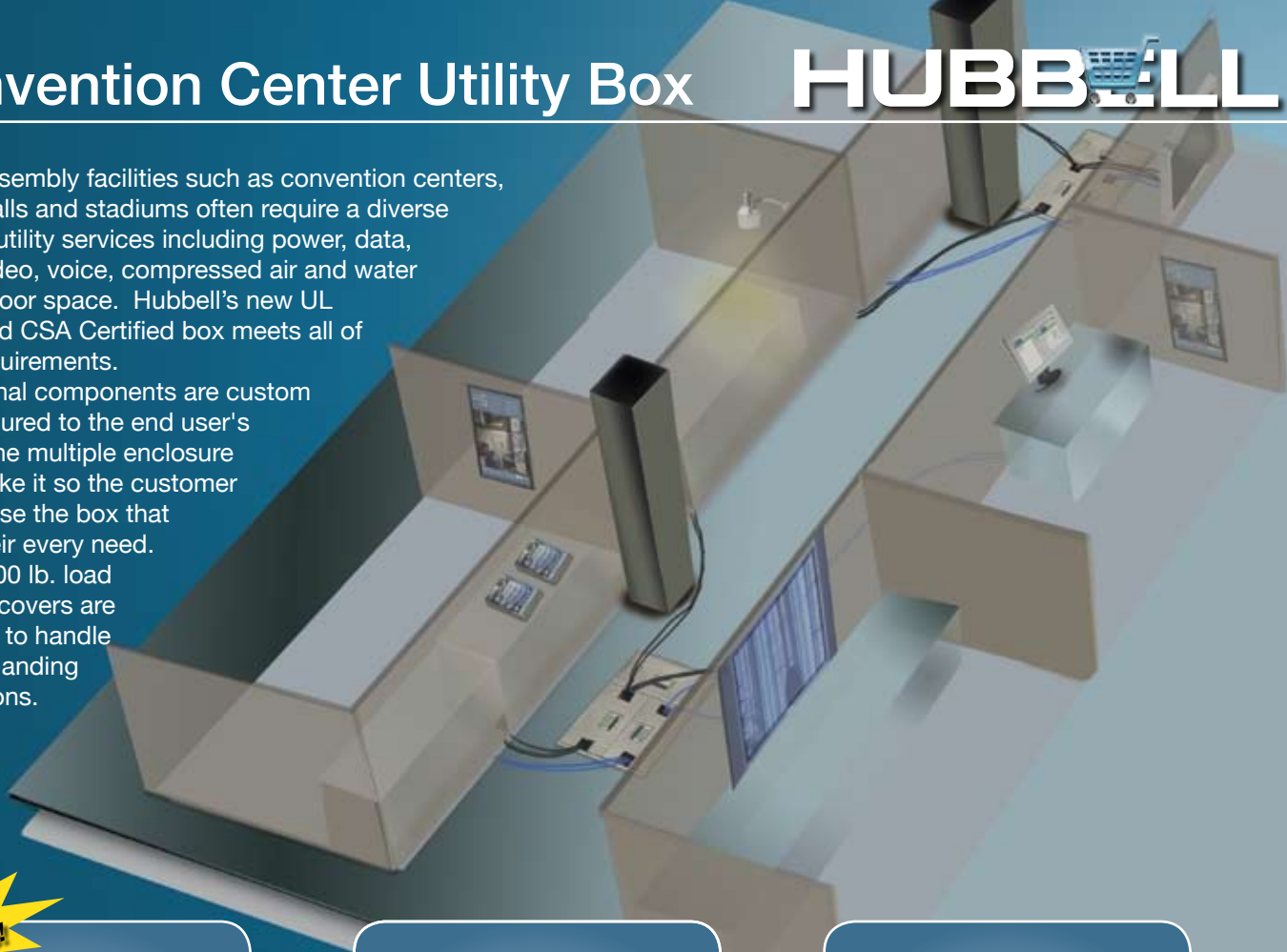
# Convention Center Utility Box



Public assembly facilities such as convention centers, exhibit halls and stadiums often require a diverse range of utility services including power, data, audio, video, voice, compressed air and water in open floor space. Hubbell's new UL Listed and CSA Certified box meets all of these requirements.

The internal components are custom manufactured to the end user's needs. The multiple enclosure types make it so the customer can choose the box that will fit their every need.

The 32,000 lb. load capacity covers are designed to handle your demanding applications.



**Hubbell Exclusive!**



### Polyurethane Enclosure

Maximum corrosion resistance for on-grade applications. Large wiring space for maximum number of devices.



### Stainless Steel Enclosure (14 Gauge 304)

Corrosion resistant enclosure suitable for both on and above-grade applications.



### Painted Galvanized Steel Enclosure (14 Gauge G90)

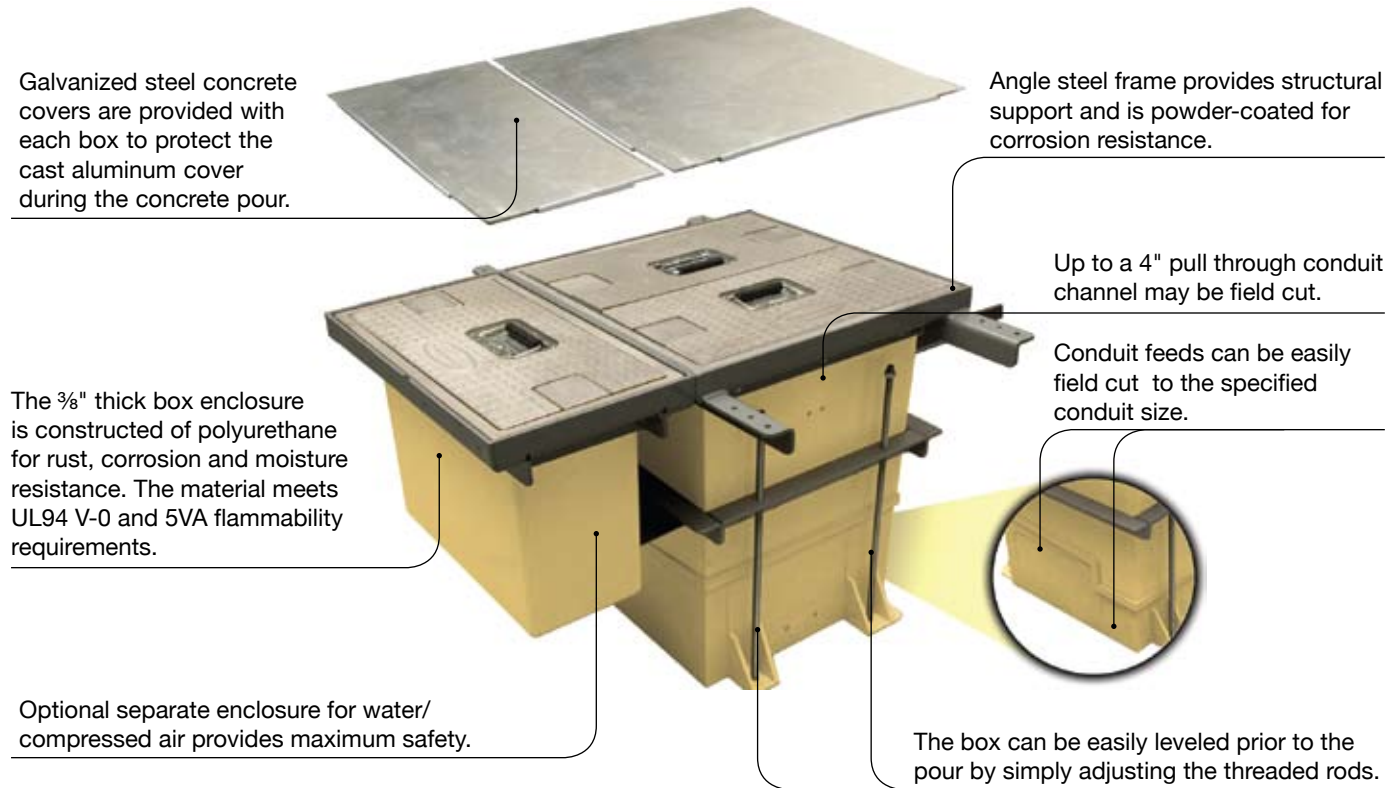
Cost effective, corrosion resistant paint. Suitable for both on and above grade applications.

Features	Benefits
UL Listed and CSA Certified	Third party approved and certified.
Heavy Duty Covers	32,000 lb. load capacity with a safety factor of two (64,000 lbs.).
Scrub Water	Meets UL514 requirements for scrub water and prevents water, dirt and debris from entering the electrical devices.
Custom Built Panels	Accepts a wide variety of electrical configurations including 100A pin and sleeve, 30A Twist-Lock® and straight blade devices.
Separate Enclosure for Compressed Air and Water Utilities	Prevents air and water utilities from coming in contact with electrical services.



# Convention Center Utility Box

## Non-Metallic Series



### Non-Metallic Convention Center Utility Box

#### Description

#### Catalog Numbers

Hubbell Convention Center Utility Box with Cover For Power and Data/Communications.

**HBLCCUBPD**

Hubbell Convention Center Utility Box with Cover For Power, Data/Communications and Air/Water Box.

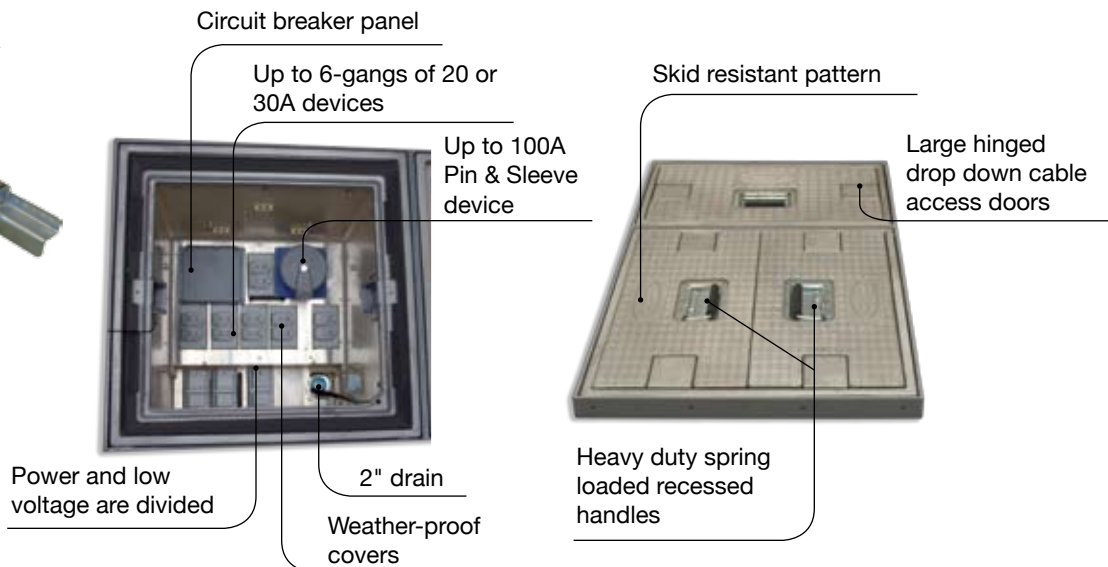
**HBLCCUBPDW**

#### Power and Data Panels\*

Custom manufactured and pre-wired to your project specifications. Panel options include 60A or 100A pin and sleeve, 20A and 30A Twist-Lock®, 20A GFCI, Isolated Ground or industrial straight blade devices. Optional circuit breaker protection is available. Up to two-gangs available for audio/video/data communication requirements. Both power and data panels are shipped separately after the boxes have been set in concrete.

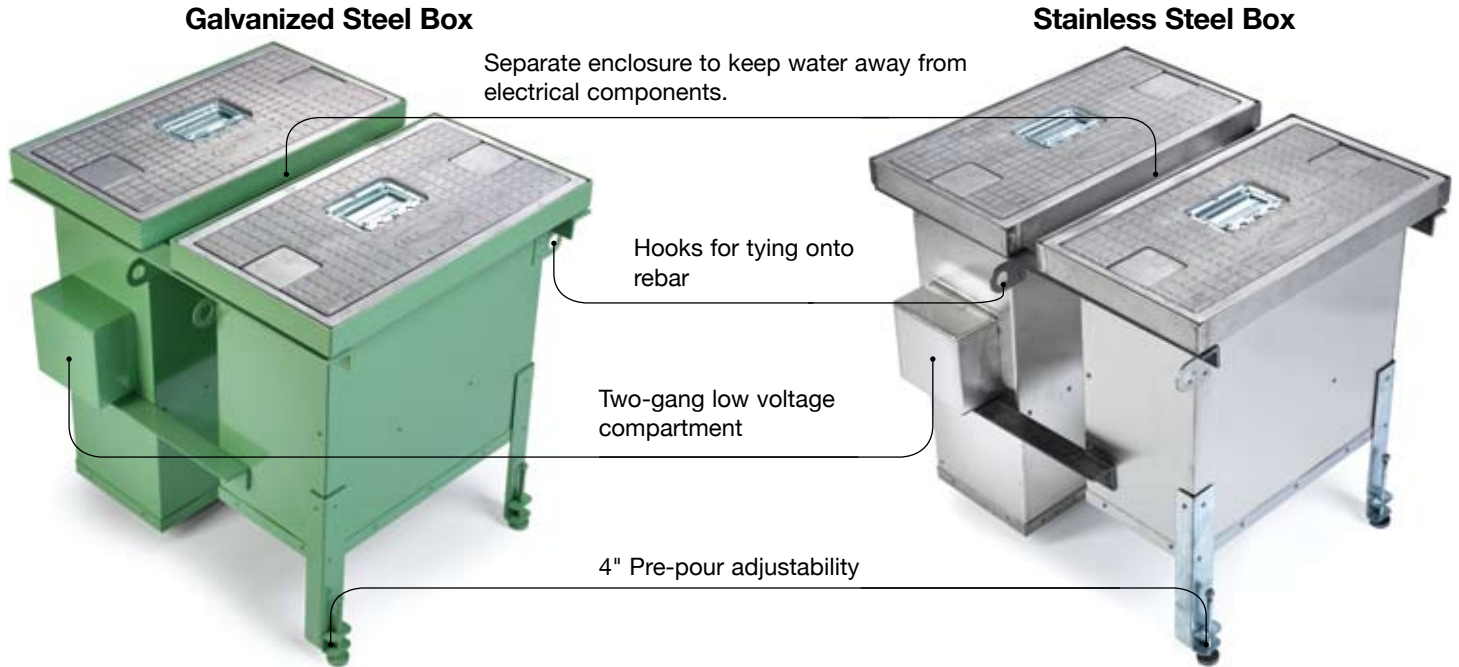
\* Contact Hubbell for available configurations of power and data panels.

#### Stand Alone Power/Data Box **HBLCCUBPD**



# Convention Center Utility Box

## Metallic Series



### Metallic Convention Center Utility Boxes\*

#### Painted Galvanized Steel Box Description

Description	Catalog Numbers
Hubbell Steel Convention Center Utility Box with Cover for Power and Data/Communications.	<b>HBLSCCUBPD</b>
Hubbell Steel Convention Center Utility Box with Cover for Power, Data/Communications and Air/Water Box.	<b>HBLSCCUBPDW</b>
Hubbell Steel Convention Center Utility Box with Cover for Air/Water Only.	<b>HBLSCCUBW</b>

#### Stainless Steel Box Description

Hubbell Steel Convention Center Utility Box with Cover for Power and Data/Communications in Stainless Steel.	<b>HBLSCCUBPDSS</b>
Hubbell Steel Convention Center Utility Box with Cover for Power, Data/Communications and Air/Water Box in Stainless Steel.	<b>HBLSCCUBPDWSS</b>
Hubbell Steel Convention Center Utility Box with Cover for Air/Water Only in Stainless Steel.	<b>HBLSCCUBWSS</b>

\* All boxes provided with galvanized steel concrete covers.

### Power and Data Panels\*\*

Custom manufactured and pre-wired to your project specifications. Panel options include 60A or 100A pin and sleeve, 20A and 30A Twist-Lock®, 20A GFCI, Isolated Ground or industrial straight blade devices. Optional circuit breaker protection is available. Up to two-gangs available for audio/video/data communication requirements. Both power and data panels are shipped separately after the boxes have been set in concrete.

\*\* Contact Hubbell for available configurations of power and data panels.

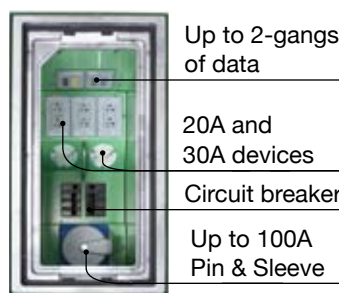
Stand Alone Power/Data Box  
**HBLSCCUBPD**



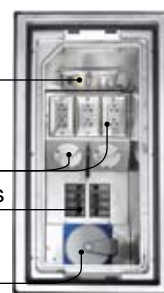
Inside View  
**HBLSCCUBW**



Inside View  
**HBLSCCUBPD**



Inside View  
**HBLSCCUBPDSS**





# Convention Center Utility Box

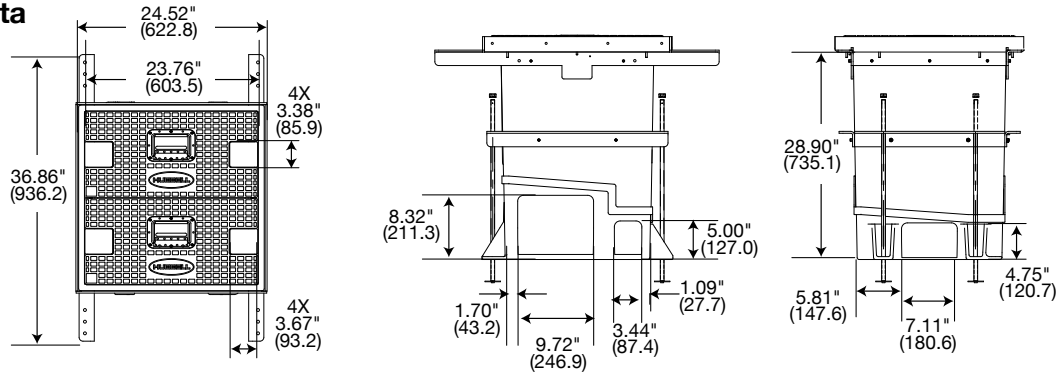


Dimensions Inches (mm)

## Non-Metallic Box

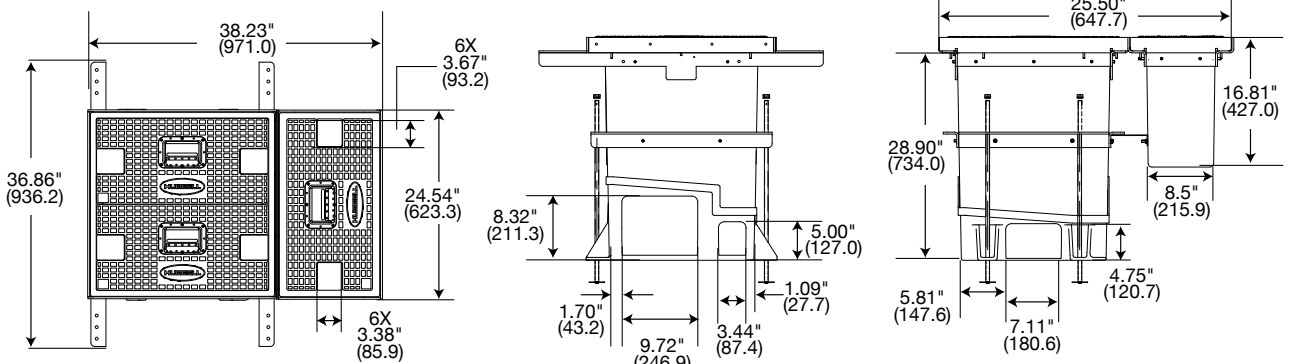
### Stand Alone Power/Data

HBLCCUBPD



### Combination Power/Data/Water

HBLCCUBPDW

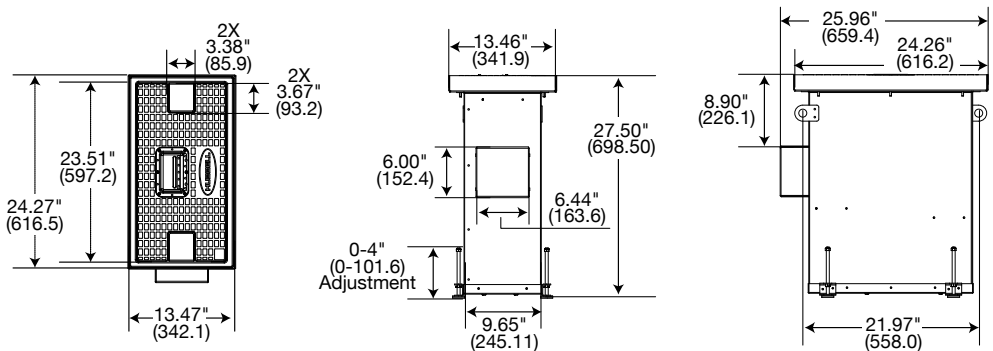


## Painted Galvanized or Stainless Steel Metallic Box

### Stand Alone Power/Data

HBLSCCUBPD (Galvanized)

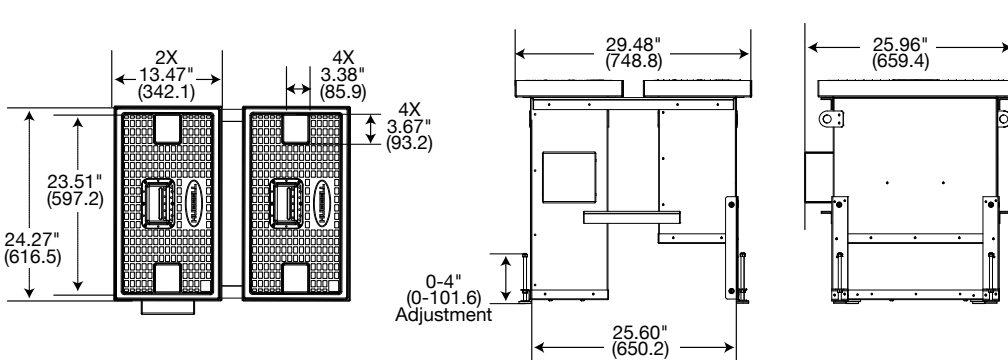
HBLSCCUBPDSS (Stainless Steel)



### Combination Power/Data/Water

HBLSCCUBPDW (Galvanized)

HBLSCCUBPDWSS (Stainless Steel)



### Stand Alone Water/Air Box

HBLSCCUBW (Galvanized)

HBLSCCUBWSS (Stainless Steel)

