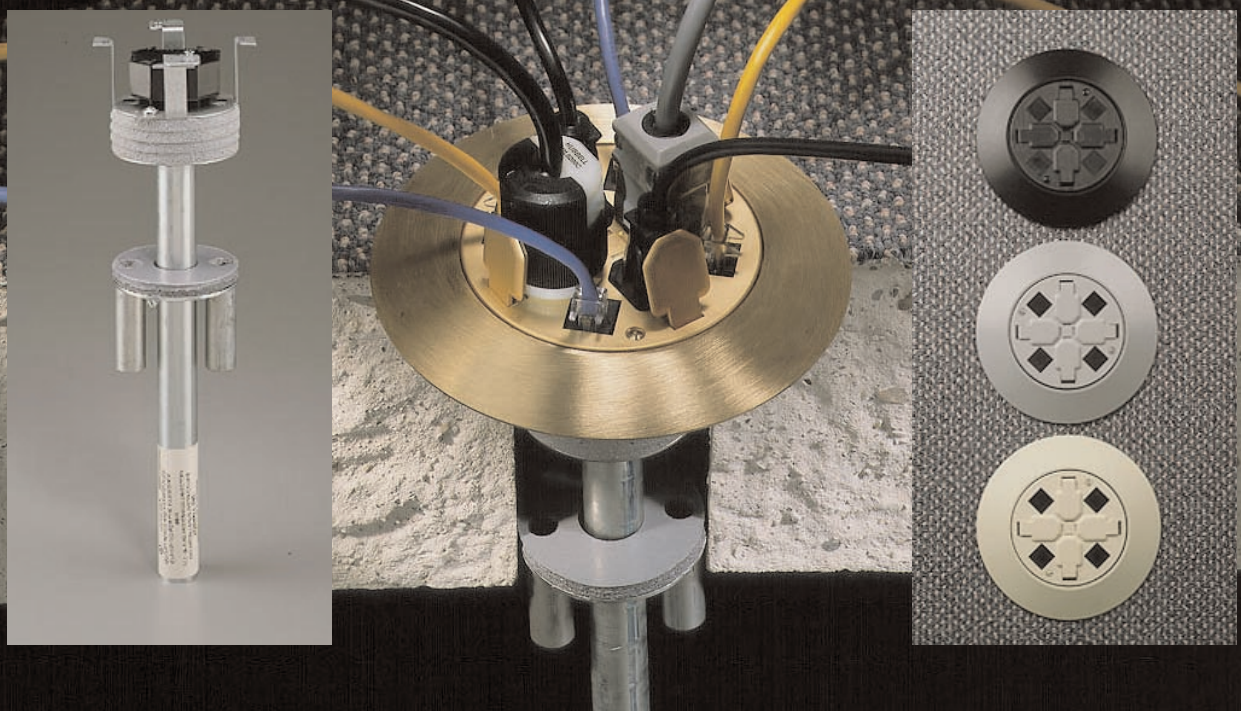




4 x 4
Flush Fire Rated Poke
Through Fitting
Two-Circuit Design

HUBBELL



Hubbell introduces a multiple service fire rated poke through fitting that combines four insulated 15 ampere, 125V receptacles with four category 5 jacks to be installed in a 3" cored hole. This additional service capacity provides the maximum in flexibility if requirements change. Four

power receptacles with two-circuit wiring capability and up to four category 5 modular jacks mount flush to the cover for an unobtrusive appearance. Covers and flanges are available in gray, black, ivory and brass colors. These units are UL Listed for floors with a 1-4 hour fire rating.

Features

- Four insulated 15A/125V receptacles.
- Up to four flush mounted category 5 jacks.
- 1, 1½, 2, 3, or 4 hour fire rating.
- All brass appearance available.
- Receptacle housing mounts to fitting.
- Low voltage conduit entrances.

Benefits

- Perfect solution for single-circuit or two-circuit applications.
- Reliable voice and data services.
- Superior fire barrier provides highest level of protection in a 3" cored hole.
- Attractive economical alternative to solid brass.
- Cover and flange may be installed or removed without removing receptacle housing.
- Convenient cabling protection when needed.



Ordering Information

One-piece Option: A complete factory assembled unit including in-floor fitting, four pre-wired 15A, 125V receptacles, cover and flange. (order Hubbell PT4XCAT5 jacks separately)

Complete one-piece fitting with nonmetallic brass plated cover and solid brass flange
Complete one-piece fitting with cover and flange; gray
Complete one-piece fitting with cover and flange; ivory
Complete one-piece fitting with cover and flange; black

Catalog Number

PT4XBRS2C
PT4XGY2C
PT4XI2C
PT4XBL2C

Two-piece Option: Order the in-floor fitting and the service fitting separately.

In floor fitting; less cover and flange

PT4XFIT2C

Service Fittings: (includes four 15A, 125V receptacles, cover and flange)

Brass plated nonmetallic cover with solid brass flange
Gray nonmetallic service fitting cover with painted aluminum flange
Ivory nonmetallic service fitting cover with painted aluminum flange
Black nonmetallic service fitting cover with painted aluminum flange

PT4XSFBR2C
PT4XSGY2C
PT4XSF2C
PT4XSFBL2C

Accessories:

Brass plated nonmetallic replacement cover
Gray nonmetallic replacement cover
Ivory nonmetallic replacement cover
Black nonmetallic replacement cover

PT4XCBR2C
PT4XCGY2C
PT4XCI2C
PT4XCBL2C

Category 5 jacks (not included, order separately)

PT4XCAT5

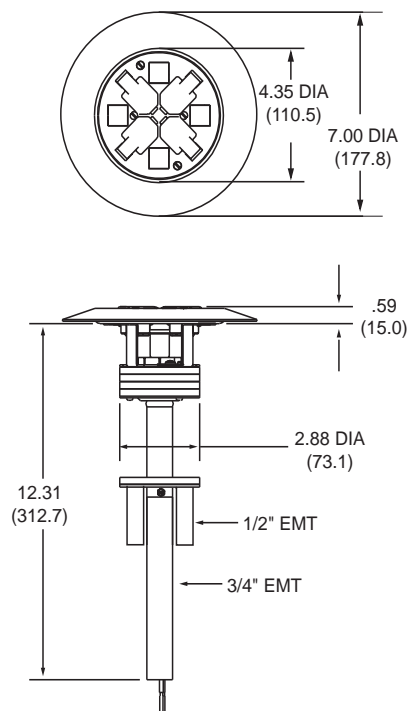
Specifications

Fire Rating	For use in 1, 1½, 2, 3, or 4 hour rated unprotected reinforced concrete floors or in 1, 2, or 3 hour rated floors employing steel floor units and concrete topping (D900 Series design).
Floor Thickness	2.25" (over metal deck) to 7" (57.2mm to 177.8mm).
UL Installation Spacing	Minimum of 2 feet on centers and not more than one unit per each 65 sq. ft. of floor area in each span.
Cored Hole	3" (76.2mm) diameter.
Receptacles	NEMA 5-15R; 15A, 125V.
Category 5 Jack(s)	Hubbell # PT4XCAT5; Black; Category 5; 8 Position; RJ45; UTP; UL Listed; (568A, 568B, USOC) wiring; dustcovers.
Power Conductors	#14 AWG THHN stranded copper.

Materials

Device Cover and Flaps	Brass plated thermoplastic; Thermoplastic.
Carpet Flanges	Solid brass, brushed and lacquered; Die cast aluminum with paint.
Conduit Tubes	Power - 3/4" EMT / Low Voltage - 1/2" EMT (two).

Dimensional Information (in/mm)



Wiring Device - Kellems

Hubbell Incorporated (Delaware) • 185 Plains Road • Milford, CT 06460-2420 • (203) 882-4800 • FAX (800) 255-1031
World Wide Web URL: <http://www.hubbell-wiring.com>

Worldwide Locations

Hubbell Canada (905) 839-1138, Fax (905) 839-9108
Hubbell Ltd. England (441) 234-855444, Fax (441) 234-854008
Hubbell-Taian Co., Ltd., (886) 2 567-5995, Fax (886) 2 567-4853
Hubbell Int'l. Inc., Korea Branch (82) 2 607-1362, Fax (82) 2 603-7386

Hubbell de Mexico, S.A. de C.V. (52) 5 575-2022, Fax (52) 5 559-8626
Caribe Sales Agencies, Puerto Rico (809) 720-7185, Fax (809) 789-2796
Hubbell S.E. Asia Pte., Ltd., (65) 382-1600, Fax (65) 382-3727
Hubbell Inc. Middle East (971) 4 369-763, Fax (971) 4 360-541