

## "Three Auxiliary Contact" 30 Amp Unfused Disconnect Switch "Suitable as Motor Disconnect"

Hubbell's new "Three Auxiliary Contact" 30 Amp Unfused Disconnect Switch is the latest addition to the Circuit-Lock® family of switched enclosures. It provides maximum flexibility for control circuit and signal applications including switching for PLCs and electronic drive systems. Auxiliary contacts are factory installed and ready for wiring. The switch includes both **(Early Break) Break Before Main Break** contacts, (1 set "normally open" 1 set "normally closed" and **(Normal Break) Break After Main Break** contacts, (2 sets "normally open" 1 set "normally closed"). The switch wiring diagram illustrated below is included in each switch enclosure for convenient reference.

### Meets NEC® Requirements

Hubbell's Circuit-Lock® unfused disconnect switches are UL listed as a manual motor controller and also "suitable as a motor disconnect." They meet NEC® Section 430.102(b), requiring each motor controller to have a disconnect within line of sight from the motor and driven equipment.

### Performance Proven

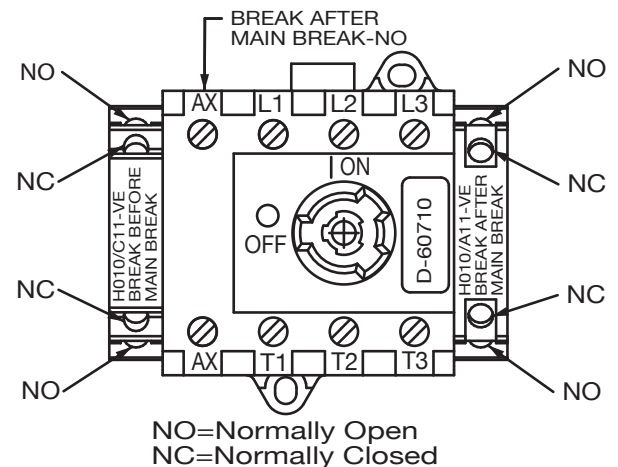
Impact/chemical resistant Valox® construction provides superior performance in harsh environments subject to wash down, dirt and corrosion. Non-metallic enclosure meets UL 50 Type 4X (watertight, wash down) 12K dust tight and IP66 suitability requirements.

### Additional Features

- Three "molded in" conduit drill points located at top, bottom, and back of enclosure
- One ¾" NPT rain tight conduit fitting included
- Adjustable mounting feet
- Corrosion resistant stainless steel hardware
- Lockable handle to meet OSHA Lockout/Tagout regulations
- DIN Rail mounted switch for easy installation



### Auxiliary Contact Wiring Diagram



## Three Auxiliary Contact 30 Amp Unfused Disconnect Switch “Suitable as Motor Disconnect”

### Ordering Information

Description	Catalog Numbers
30A 600V AC Unfused Disconnect Switch w/ 3 Auxiliary Contacts Break Before Main Break- 1 set “normally open” 1 set “normally closed” Break After Main Break- 2 sets “normally open” 1 set “normally closed”	<b>HBLDS33ACNK</b>
Replacement 30A 600V AC Switch	<b>HBLDS33ACRS</b>



**HBLDS33ACNK**

Note: Visit [www.hubbell-wiring.com](http://www.hubbell-wiring.com) for Hubbell's complete line of disconnect switches and enclosures.

### Specifications

#### Typical Specifications

Manufactures I.D.: Hubbell HBLDS33ACNK.  
 Description: Circuit-Lock® Three Auxiliary Contact Unfused Motor Disconnect Rating: 30A 600V AC.  
 Enclosure Material: Non-metallic enclosure suitable for metallic conduit.  
 Enclosure Type: UL 50 Type 4X (Washdown Watertight) 12K Dust-tight.  
 Certification:

### Materials

Part	Materials	Part	Materials
Base	Valox®	Shaft	Valox®
Cover	Valox®	Shaft Seal	Neoprene
Handle	Valox®	Frame	Galvanized Steel
Conduit Hub	Zinc Watertight	Screws	Stainless Steel 300 Series
Gasket	Neoprene		

### Performance

#### Electrical

Dielectric Voltage	Withstands 3000V AC minimum.
Max. Working Voltage	600V AC RMS.
Current Interrupting	Certified for current interrupting at full rated current and voltage.
Short Circuit Withstand Rating (Motor Disconnect)	Suitable for use on a circuit capable of delivering not more than 10,000 RMS symmetrical amperes, 600V AC max.

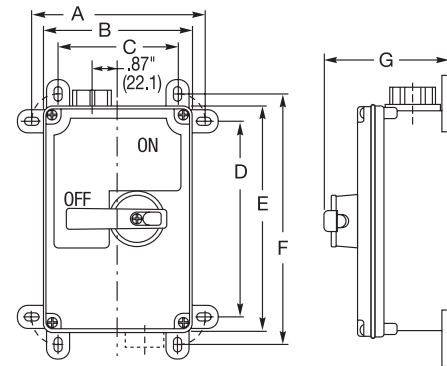
#### Mechanical

Terminal Identification	In accordance with UL, CSA and international conventions.
Product Identification	Identification and ratings are part of external label.
Mounting	External fully adjustable feet.
Impact Resistance	In accordance with UL 746C.

#### Environmental

Moisture Resistance	Outdoor- Type 4X (Washdown, Corrosion resistant), IP 66 suitability; Indoor- Type 12K (Dust-tight, Falling Dirt, Noncorrosive Liquids with Knockout).
Ingress Protection	IP66 Suitability.
Flammability	UL94-5VA and V0 Classification.
Operating Temperature	Maximum Continuous +75°C; Minimum Continuous -40°C.
UV Resistance	All materials are UV stabilized.

### Dimensions



Key	inch (mm)
A	6.00 (152)
B	5.12 (130)
C	4.12 (105)
D	6.62 (168)
E	7.62 (194)
F	8.50 (216)
G	4.12 (105)

### Horsepower Ratings

#### Voltage

120V AC 1Ø	1
208V AC 1Ø	—
220-277V AC 1Ø	2.5
240-277V AC 1Ø	—
480V AC 1Ø	5
208V AC 3Ø	—
208-240V AC 3Ø	5
240V AC 3Ø	—
480V AC 3Ø	10
600V AC 3Ø	10

© Valox is a registered trademark of GE Company.

© Registered trademark of Hubbell Incorporated. Printed In U.S.A. Specifications subject to change without notice

Hubbell Incorporated (Delaware) • 185 Plains Road • Milford, CT 06461-2420 • (203) 882-4800 • FAX (800) 255-1031

H5249



Wiring Device-Kellems