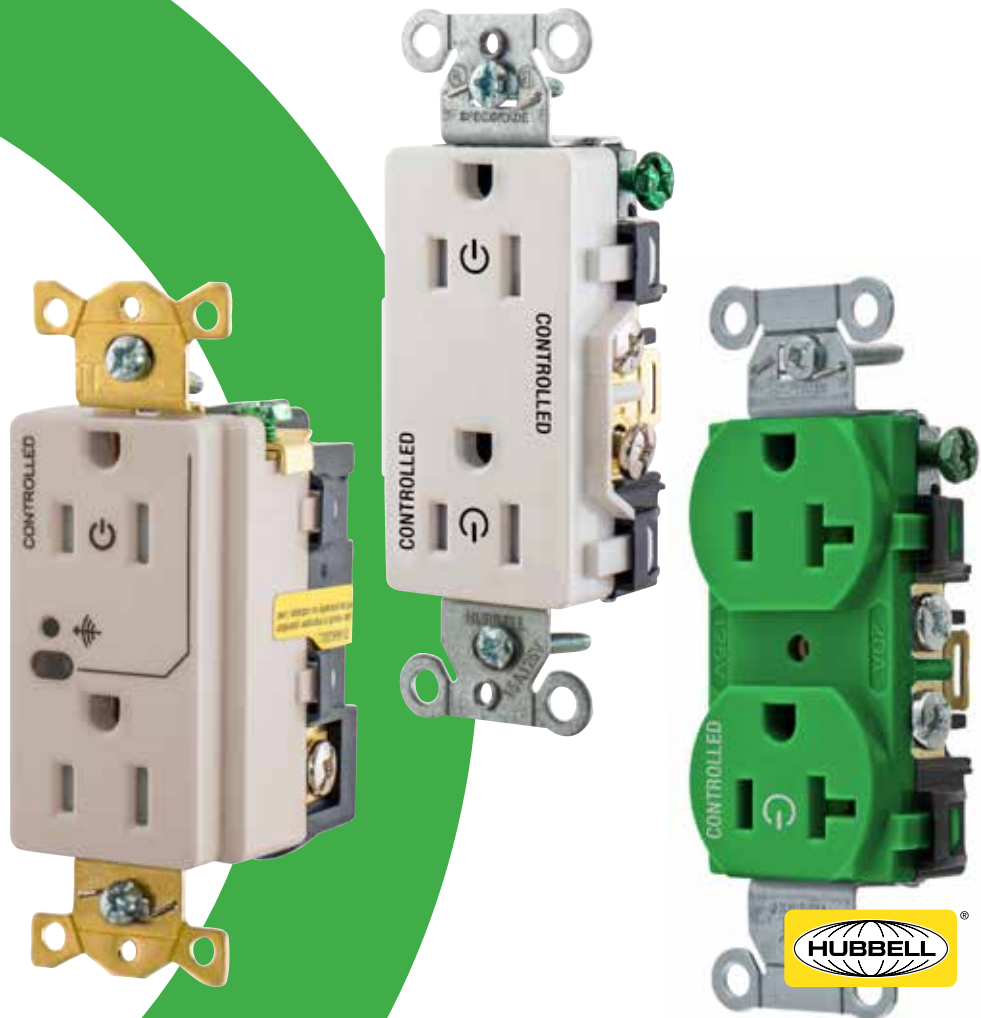


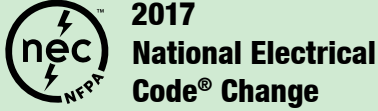
# Automatic Receptacle Control Product Guide

**Power**  
when you need it

**Energy savings**  
when you don't



## Load:Logic® Automatic Receptacle Control (ARC)



**2017  
National Electrical  
Code® Change**

2017 section 406.3(E) requires that all nonlocking type 125-volt, 15- and 20-ampere receptacles, that are controlled by an automatic control device, or that incorporate control features that remove power from the receptacle for the purpose of energy management or building automation, shall be permanently marked with the following symbol (⏻) and the word “controlled.”

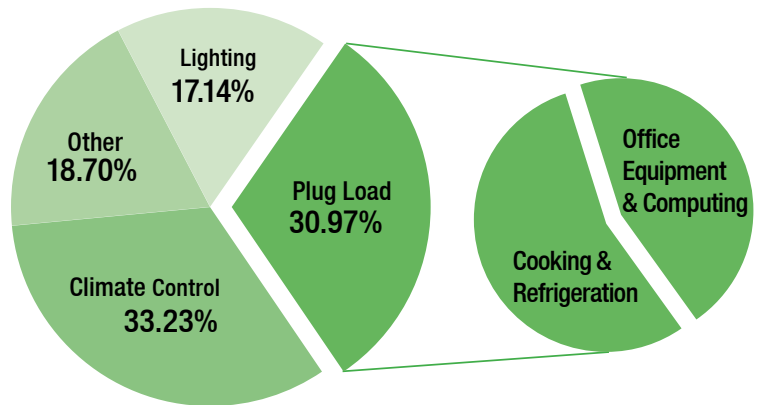
For receptacles controlled by an automatic control device, the marking shall be located on the receptacle face and visible after installation.

In both cases where a multiple receptacle device is used, the required marking of the word “controlled” and symbol shall denote which contact device(s) are controlled.

Advances in building construction and product technology have enabled building design to be more energy efficient than ever before. Until recently, HVAC systems and lighting presented the greatest opportunities for energy conservation. Designers and manufacturers have been implementing solutions to reduce the power consumption of these systems for decades. Office equipment, appliances and plug-in lighting loads are the next major area for potential reduction of energy consumption.

A 2002 study published by the Energy Information Administration (EIA) credits almost 40% of all energy consumption in commercial buildings to lighting. Today, that number is less than 17%. As plug load control occurs in the same space as lighting control, it is reasonable to use the same approach to manage both loads. While the space is in use, the receptacles need to remain ON and the lights need to be controlled per the occupant’s requirements.

**Figure 1. Commercial Buildings Electricity Consumption**



*Electrical bill impact for a typical office building circa December 2013.*



Controlling plug loads is the next logical step towards reducing energy consumption. Currently, roughly 31% of commercial electricity is attributed to plug loads. When devices such as lights, TVs, monitors, or computers are left ON and plugged in when not in use, they still use energy. Therefore, new codes and standards mandate certain electrical receptacles to be automatically controlled. This minimizes the risk associated with users who may forget to unplug or turn OFF equipment, resulting in reduced total energy consumption.

It is important to understand the requirements for automatic receptacle control applicable to a specific space. The overall intent of the codes and standards is to minimize wasted energy and to maximize efficiency. The objective is to control plug loads in specific spaces through the management of selected receptacles.

## Tamper-Resistant Permanently Marked Receptacles for Automatic Receptacle Control

Hubbell permanently marked receptacles for automatic receptacle control are embossed with the universally recognized power symbol (⏻) and the word “controlled.” These markings clearly identify which convenience receptacles are turned OFF when the space is vacant. Print orientation allows “controlled” to be easily identified, regardless of the installation orientation.

The patented Hubbell Tamper-Resistant Mechanism eliminates the frustration and difficulty experienced using TR receptacles with plugs that have sharp, or bent blades. Hubbell TR receptacles work so well there is virtually no perceptible difference in the feel between the TR receptacles and our conventional non-TR receptacles. Trust Hubbell to deliver Tamper-Resistant protection that feels like it’s not even there.



- *Patented design promotes easy plug insertion and minimizes TR issues*
- *Fed-Spec UL listing ensures proven performance in demanding applications*
- *Perfect for universities, schools and other institutional applications where safety and performance are critical*



### Features

- » For use in NEC® locations requiring Tamper-Resistant receptacles
- » Best-in-class TR mechanism
- » Fed-Spec UL listed
- » Engineered, Designed, and Assembled in USA
- » Tested to UL Hospital Grade test standards for impact resistance and abrupt plug pull-out

### Applications

- » Schools and Universities
- » Hotels and Convention Centers
- » Assisted Living Facilities
- » Transportation Centers
- » Military Barracks



### 2017 National Electrical Code® Change

2017 section 406.12 requires all non-locking 15- and 20-ampere, 125- and 250-volt receptacles in the areas specified in 406.12(1) through (7) shall be listed tamper-resistant receptacles.

- (1) Dwelling units in all areas specified in 210.52 and 550.13
- (2) Guestrooms and guest suites of hotels and motels
- (3) Child care facilities
- (4) Preschools and elementary education facilities
- (5) Business offices, corridors, waiting rooms and the like in clinics, medical and dental offices and outpatient facilities
- (6) Subset of assembly occupancies described in 518.2 to include places of waiting transportation, gymnasiums, skating rinks, and auditoriums
- (7) Dormitories.

**Tamper-Resistant...NOT Plug Resistant™**

# Codes, Standards and Configurations

There are a number of key factors to consider before selecting the most cost effective solution:

- » Upgrading the existing control infrastructure vs. investing in a new one
- » Troubleshooting and maintenance concerns
- » Code compliance
- » The right technology (wired vs. wireless, or a combination)
- » Most importantly: the building, its occupants and its use.

Evaluating, setting clear expectations and selecting the most appropriate design strategy based on the above factors is paramount to a successful automatic receptacle control solution.

Hubbell provides occupancy and time based solutions that comply with these requirements, are cost effective and installer friendly. Our solutions are compatible with most third party control systems and can be mounted in the ceiling, in the wall, furniture feed, and are also offered in wired or wireless formats to accommodate every need.

## ANSI/ASHRAE/IES Standard 90.1

Section 8.4.2, ASHRAE 90.1-2010 requires that in certain commercial spaces at least 50% of all 15- and 20-ampere 120V AC receptacles are to be controlled by either an occupancy sensor, a time of day control device, or by an automated signal from another control or alarm system.

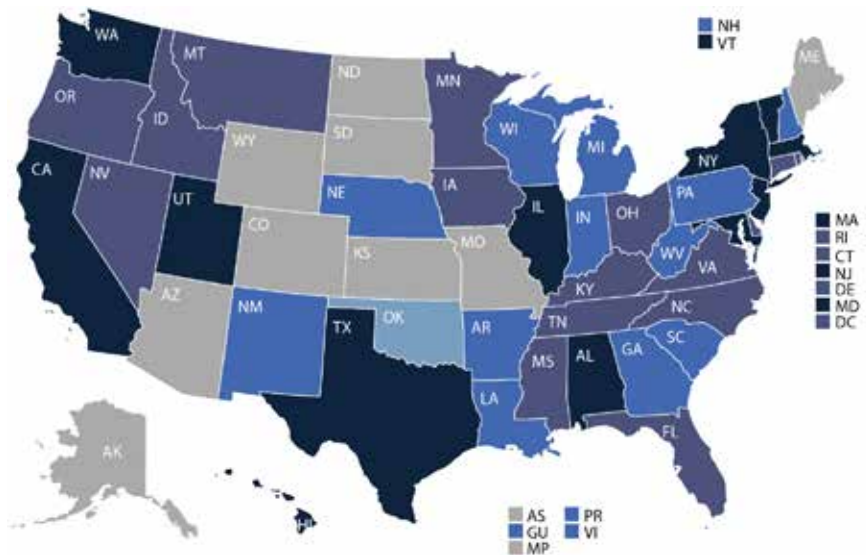
Certain requirements for ARC were updated in ASHRAE 90.1-2013. For example, the controlled receptacles must be distributed uniformly throughout the space.

## California Energy Commission (CEC) Title 24, Part 6

Section 130.5(d) of the 2016 Building Efficiency Standards of the California Energy Commission Title 24, Part 6 requires at least one 15- or 20-ampere 120V AC controlled receptacle, or a split wired receptacle with at least one controlled and one uncontrolled receptacle, to be installed within 6 feet of each uncontrolled receptacle.

Where receptacles are installed in modular furniture in open office areas, at least one controlled receptacle shall be installed at each workstation. In the case of hotel and motel guest rooms, at least 50% of the receptacles must be controlled.

Figure 2. State-by-State ASHRAE 90.1 Revisions Adoption



As of April 2017, 29 states have adopted the 2010 or newer edition of the standard that requires ARC.

- Meets or exceeds ASHRAE Standard 90.1-2013 or equivalent (12)
- Meets or exceeds ASHRAE Standard 90.1-2010 or equivalent (17)
- Meets or exceeds ASHRAE Standard 90.1-2007 or equivalent (15)
- Meets or exceeds ASHRAE Standard 90.1-2004 or equivalent (1)
- No statewide code or predates ASHRAE Standard 90.1-2004 (11)

Figure 3. Ceiling Mounted Receptacle Controller

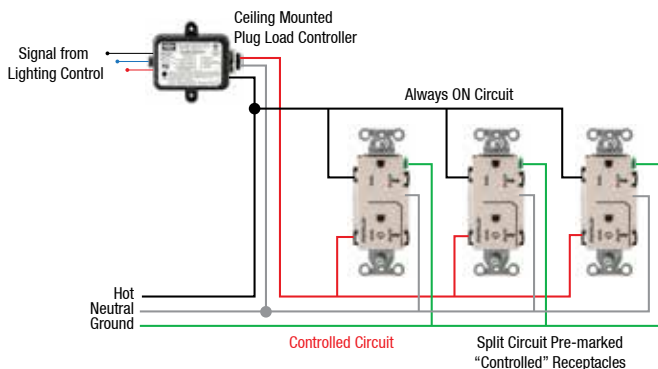
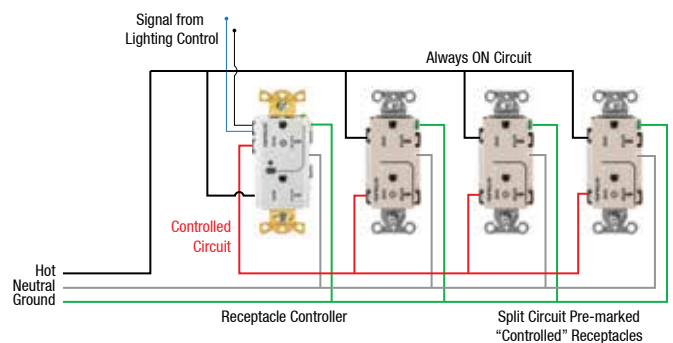


Figure 4. In-Box Wall Mounted Receptacle Controller



## Wired

### Switched Tamper-Resistant Receptacles for Automatic Receptacle Control

| Description   | Color      | 15A                 |                     | 20A                 |                     |
|---|------------|---------------------|---------------------|---------------------|---------------------|
|   |            | Split Circuit       | Fully Controlled    | Split Circuit       | Fully Controlled    |
| Auto ON/Auto OFF control. Capable of controlling additional receptacles downstream. | Black      | <b>HBL5262LC1BK</b> | <b>HBL5262LC2BK</b> | <b>HBL5362LC1BK</b> | <b>HBL5362LC2BK</b> |
|   | Brown      | <b>HBL5262LC1</b>   | <b>HBL5262LC2</b>   | <b>HBL5362LC1</b>   | <b>HBL5362LC2</b>   |
|   | Gray       | <b>HBL5262LC1GY</b> | <b>HBL5262LC2GY</b> | <b>HBL5362LC1GY</b> | <b>HBL5362LC2GY</b> |
|   | Green      | <b>HBL5262LC1GN</b> | <b>HBL5262LC2GN</b> | <b>HBL5362LC1GN</b> | <b>HBL5362LC2GN</b> |
|   | Ivory      | <b>HBL5262LC1I</b>  | <b>HBL5262LC2I</b>  | <b>HBL5362LC1I</b>  | <b>HBL5362LC2I</b>  |
|   | Lt. Almond | <b>HBL5262LC1LA</b> | <b>HBL5262LC2LA</b> | <b>HBL5362LC1LA</b> | <b>HBL5362LC2LA</b> |
|   | White      | <b>HBL5262LC1W</b>  | <b>HBL5262LC2W</b>  | <b>HBL5362LC1W</b>  | <b>HBL5362LC2W</b>  |

Note: Special order for hospital grade devices.



HBL5362LC2W

### Heavy Duty Control Unit

The CU300 series provides 24V DC power supply for sensors or sensor/Add-A-Relay combinations. The control units contain an internal relay for the control of an external load. Control units are plenum rated cULus Listed.

| Description  | Catalog Number |
|--|----------------|
| Auto or manual ON operation, 100-277V AC, 50/60Hz for use with 1 to 6 ATD, ATU, ATP, AHP and AD2240 series sensors, heavy duty latching relay for reactive loads and automatic receptacle control. | <b>CU300HD</b> |
| Auto or Manual ON operation, 100-277V AC 50/60Hz. Requires a CU300 series, heavy duty latching relay; suitable for automatic receptacle control applications.                                      | <b>AAR20P</b>  |



CU300HD

## Wireless

### Switched Tamper-Resistant Receptacles for Automatic Receptacle Control

| Description   | Color      | 15A                  |                      | 20A                  |                      |
|---|------------|----------------------|----------------------|----------------------|----------------------|
|   |            | Split Circuit        | Fully Controlled     | Split Circuit        | Fully Controlled     |
| Wireless receiver Auto ON/Auto OFF. Capable of controlling additional receptacles downstream. | Black      | <b>HBL5262RFC1BK</b> | <b>HBL5262RFC2BK</b> | <b>HBL5362RFC1BK</b> | <b>HBL5362RFC2BK</b> |
|   | Brown      | <b>HBL5262RFC1</b>   | <b>HBL5262RFC2</b>   | <b>HBL5362RFC1</b>   | <b>HBL5362RFC2</b>   |
|   | Gray       | <b>HBL5262RFC1GY</b> | <b>HBL5262RFC2GY</b> | <b>HBL5362RFC1GY</b> | <b>HBL5362RFC2GY</b> |
|   | Green      | <b>HBL5262RFC1GN</b> | <b>HBL5262RFC2GN</b> | <b>HBL5362RFC1GN</b> | <b>HBL5362RFC2GN</b> |
|   | Ivory      | <b>HBL5262RFC1I</b>  | <b>HBL5262RFC2I</b>  | <b>HBL5362RFC1I</b>  | <b>HBL5362RFC2I</b>  |
|   | Lt. Almond | <b>HBL5262RFC1LA</b> | <b>HBL5262RFC2LA</b> | <b>HBL5362RFC1LA</b> | <b>HBL5362RFC2LA</b> |
|   | White      | <b>HBL5262RFC1W</b>  | <b>HBL5262RFC2W</b>  | <b>HBL5362RFC1W</b>  | <b>HBL5362RFC2W</b>  |

Note: Special order for hospital grade devices.



HBL5262RFC1W

### Heavy Duty Receptacle Load Controller with Wireless Transmitter

Transmits an occupancy status to a wireless receiver such as a switched receptacle or a control unit. Auto or Manual ON operation. Powers up to six low voltage sensors.

| Description                                 | Voltage     | Catalog Number |
|---|-------------|----------------|
| Heavy duty control unit with Clear Connect® | 100-277V AC | <b>WLCU301</b> |



WLCU301

### Heavy Duty Receptacle Load Controller with Wireless Receiver

Receive an occupancy status from a sensor or a transmitter and energize connected loads such as lighting or receptacles loads.

| Description  | Voltage     | Catalog Number |
|--|-------------|----------------|
| Single (1) circuit heavy duty control unit with Clear Connect® | 100-277V AC | <b>WLC301</b>  |
| Dual (2) circuit heavy duty control unit with Clear Connect®   | 100-277V AC | <b>WLC302</b>  |



WLC301

### Receptacle Load Controller for Furniture Feed Box and Wireless Receiver

Receive an occupancy status from a sensor or a transmitter and energize the connected receptacles loads. Mounts on an existing electrical junction box. Dual relay control excellent for office furniture partitions.

| Description  | Voltage     | Catalog Number |
|--|-------------|----------------|
| Dual (2) circuit heavy duty furniture feed box with Clear Connect® | 100-277V AC | <b>WLC402W</b> |



WLC402W

Clear Connect® is a registered trademark of Lutron Electronics Co., Inc.



- ⏻ Permanent power symbol remains clearly visible after installation
- ⏻ Control both outlets per device for 100% controlled applications or one outlet for 50% controlled applications
- ⏻ Ideal for commercial buildings, retail, schools, hotel rooms
- ⏻ Part of the Hubbell Load:Logic® Load Control System

## 15 and 20 Ampere, 125 Volts

### SNAPConnect® Permanently Marked Receptacles

| Duplex                       | Color  | One Controlled Face Split Circuit Hot Tab |                 | Two Controlled Faces |                 |
|------------------------------|--|---|-----------------|----------------------|-----------------|
|                              |  | 15 Amp                                    | 20 Amp          | 15 Amp               | 20 Amp          |
| SNAPConnect® standard duplex | Black  | SNAP5262C1BK                              | SNAP5362C1BK    | SNAP5262C2BK         | SNAP5362C2BK    |
|                              | Blue   | SNAP5262C1BL                              | SNAP5362C1BL    | SNAP5262C2BL         | SNAP5362C2BL    |
|                              | Brown  | SNAP5262C1                                | SNAP5362C1      | SNAP5262C2           | SNAP5362C2      |
|                              | Gray   | SNAP5262C1GY                              | SNAP5362C1GY    | SNAP5262C2GY         | SNAP5362C2GY    |
|                              | Green  | SNAP5262C1GN                              | SNAP5362C1GN    | SNAP5262C2GN         | SNAP5362C2GN    |
|                              | Ivory  | SNAP5262C1I                               | SNAP5362C1I     | SNAP5262C2I          | SNAP5362C2I     |
|                              | Lt. Almond                                     | SNAP5262C1LA                              | SNAP5362C1LA    | SNAP5262C2LA         | SNAP5362C2LA    |
|                              | Red  | SNAP5262C1R                               | SNAP5362C1R     | SNAP5262C2R          | SNAP5362C2R     |
|                              | White  | SNAP5262C1W                               | SNAP5362C1W     | SNAP5262C2W          | SNAP5362C2W     |
|                              | SNAPConnect® Tamper-Resistant, standard duplex | Black                                     | SNAP5262C1BKTRA | SNAP5362C1BKTRA      | SNAP5262C2BKTRA |
| Brown                        |  | SNAP5262C1TRA                             | SNAP5362C1TRA   | SNAP5262C2TRA        | SNAP5362C2TRA   |
| Gray                         |  | SNAP5262C1GYTRA                           | SNAP5362C1GYTRA | SNAP5262C2GYTRA      | SNAP5362C2GYTRA |
| Green                        |  | SNAP5262C1GNTRA                           | SNAP5362C1GNTRA | SNAP5262C2GNTRA      | SNAP5362C2GNTRA |
| Ivory                        |  | SNAP5262C1ITRA                            | SNAP5362C1ITRA  | SNAP5262C2ITRA       | SNAP5362C2ITRA  |
| Lt. Almond                   |  | SNAP5262C1LATRA                           | SNAP5362C1LATRA | SNAP5262C2LATRA      | SNAP5362C2LATRA |
| White                        |  | SNAP5262C1WTRA                            | SNAP5362C1WTRA  | SNAP5262C2WTRA       | SNAP5362C2WTRA  |



SNAP5262C2LATRA

### Style Line® Decorator

|                               |   |                 |                 |                 |                 |
|-------------------------------|---|-----------------|-----------------|-----------------|-----------------|
| SNAPConnect® decorator duplex | Black   | SNAP2152C1BK    | SNAP2162C1BK    | SNAP2152C2BK    | SNAP2162C2BK    |
|                               | Blue  | SNAP2152C1BL    | SNAP2162C1BL    | SNAP2152C2BL    | SNAP2162C2BL    |
|                               | Brown   | SNAP2152C1      | SNAP2162C1      | SNAP2152C2      | SNAP2162C2      |
|                               | Gray  | SNAP2152C1GY    | SNAP2162C1GY    | SNAP2152C2GY    | SNAP2162C2GY    |
|                               | Green   | SNAP2152C1GN    | SNAP2162C1GN    | SNAP2152C2GN    | SNAP2162C2GN    |
|                               | Ivory   | SNAP2152C1I     | SNAP2162C1I     | SNAP2152C2I     | SNAP2162C2I     |
|                               | Lt. Almond                                      | SNAP2152C1LA    | SNAP2162C1LA    | SNAP2152C2LA    | SNAP2162C2LA    |
|                               | Red   | SNAP2152C1R     | SNAP2162C1R     | SNAP2152C2R     | SNAP2162C2R     |
|                               | White   | SNAP2152C1W     | SNAP2162C1W     | SNAP2152C2W     | SNAP2162C2W     |
|                               | SNAPConnect® Tamper-Resistant, decorator duplex | Black           | SNAP2152C1BKTRA | SNAP2162C1BKTRA | SNAP2152C2BKTRA |
| Brown                         |   | SNAP2152C1TRA   | SNAP2162C1TRA   | SNAP2152C2TRA   | SNAP2162C2TRA   |
| Gray                          |   | SNAP2152C1GYTRA | SNAP2162C1GYTRA | SNAP2152C2GYTRA | SNAP2162C2GYTRA |
| Green                         |   | SNAP2152C1GNTRA | SNAP2162C1GNTRA | SNAP2152C2GNTRA | SNAP2162C2GNTRA |
| Ivory                         |   | SNAP2152C1ITRA  | SNAP2162C1ITRA  | SNAP2152C2ITRA  | SNAP2162C2ITRA  |
| Lt. Almond                    |   | SNAP2152C1LATRA | SNAP2162C1LATRA | SNAP2152C2LATRA | SNAP2162C2LATRA |
| White                         |   | SNAP2152C1WTRA  | SNAP2162C1WTRA  | SNAP2152C2WTRA  | SNAP2162C2WTRA  |



SNAP2162C1W

### SNAPConnect® Right Angle Pigtailed Connector

| Description  | Solid Wire | Stranded Wire |
|--|------------|---------------|
| Clear right angle terminal with 6 inch leads, 600V, #12 AWG THHN/THWN-2; Polycarbonate housing material. | SNAP1RA    | SNAP2RA       |



SNAP1RA



## 15 and 20 Ampere, 125 Volts

### Industrial Grade, Permanently Marked Tamper-Resistant Receptacles

| Duplex  | Color      | One Controlled Face Split Circuit Hot Tab |                | Two Controlled Faces |                |
|---|------------|---|----------------|----------------------|----------------|
|   |            | 15 Amp                                    | 20 Amp         | 15 Amp               | 20 Amp         |
| Smooth nylon face, duplex, back and side wired. | Black      | HBL5262C1BLKTR                            | HBL5362C1BLKTR | HBL5262C2BLKTR       | HBL5362C2BLKTR |
|   | Blue       | HBL5262C1BLTR                             | HBL5362C1BLTR  | HBL5262C2BLTR        | HBL5362C2BLTR  |
|   | Brown      | HBL5262C1TR                               | HBL5362C1TR    | HBL5262C2TR          | HBL5362C2TR    |
|   | Gray       | HBL5262C1GRYTR                            | HBL5362C1GRYTR | HBL5262C2GRYTR       | HBL5362C2GRYTR |
|   | Ivory      | HBL5262C1ITR                              | HBL5362C1ITR   | HBL5262C2ITR         | HBL5362C2ITR   |
|   | Lt. Almond | HBL5262C1LATR                             | HBL5362C1LATR  | HBL5262C2LATR        | HBL5362C2LATR  |
|   | Red        | HBL5262C1RTR                              | HBL5362C1RTR   | HBL5262C2RTR         | HBL5362C2RTR   |
|   | White      | HBL5262C1WHITR                            | HBL5362C1WHITR | HBL5262C2WHITR       | HBL5362C2WHITR |



HBL5362C2LATR

### Permanently Marked Receptacles

| Duplex  | Color   | One Controlled Face Split Circuit Hot Tab |             | Two Controlled Faces |             |             |
|---|---|---|-------------|----------------------|-------------|-------------|
|   |   | 15 Amp                                    | 20 Amp      | 15 Amp               | 20 Amp      |             |
| Smooth nylon face, duplex, back and side wired. | Black   | BR15C1BLK                                 | BR20C1BLK   | BR15C2BLK            | BR20C2BLK   |             |
|   | Blue  | BR15C1BL                                  | BR20C1BL    | BR15C2BL             | BR20C2BL    |             |
|   | Brown   | BR15C1                                    | BR20C1      | BR15C2               | BR20C2      |             |
|   | Gray  | BR15C1GRY                                 | BR20C1GRY   | BR15C2GRY            | BR20C2GRY   |             |
|   | Green   | BR15C1GN                                  | BR20C1GN    | BR15C2GN             | BR20C2GN    |             |
|   | Ivory   | BR15C1I                                   | BR20C1I     | BR15C2I              | BR20C2I     |             |
|   | Lt. Almond  | BR15C1LA                                  | BR20C1LA    | BR15C2LA             | BR20C2LA    |             |
|   | Red   | BR15C1R                                   | BR20C1R     | BR15C2R              | BR20C2R     |             |
|   | White   | BR15C1WHI                                 | BR20C1WHI   | BR15C2WHI            | BR20C2WHI   |             |
|   | Smooth nylon face, Tamper-Resistant, duplex, back and side wired. | Black                                     | BR15C1BLKTR | BR20C1BLKTR          | BR15C2BLKTR | BR20C2BLKTR |
|   |   | Blue                                      | BR15C1BLTR  | BR20C1BLTR           | BR15C2BLTR  | BR20C2BLTR  |
| Brown   |   | BR15C1TR                                  | BR20C1TR    | BR15C2TR             | BR20C2TR    |             |
| Gray  |   | BR15C1GRYTR                               | BR20C1GRYTR | BR15C2GRYTR          | BR20C2GRYTR |             |
| Green   |   | BR15C1GNTR                                | BR20C1GNTR  | BR15C2GNTR           | BR20C2GNTR  |             |
| Ivory   |   | BR15C1ITR                                 | BR20C1ITR   | BR15C2ITR            | BR20C2ITR   |             |
| Lt. Almond                                      |   | BR15C1LATR                                | BR20C1LATR  | BR15C2LATR           | BR20C2LATR  |             |
| Red   |   | BR15C1RTR                                 | BR20C1RTR   | BR15C2RTR            | BR20C2RTR   |             |
| White   |   | BR15C1WHITR                               | BR20C1WHITR | BR15C2WHITR          | BR20C2WHITR |             |



BR15C1WHI

### Style Line® Decorator

|   |            |             |             |             |             |
|---|------------|-------------|-------------|-------------|-------------|
| Smooth nylon face, decorator duplex, back and side wired.                   | Black      | DR15C1BLK   | DR20C1BLK   | DR15C2BLK   | DR20C2BLK   |
|   | Blue       | DR15C1BL    | DR20C1BL    | DR15C2BL    | DR20C2BL    |
|   | Brown      | DR15C1      | DR20C1      | DR15C2      | DR20C2      |
|   | Gray       | DR15C1GRY   | DR20C1GRY   | DR15C2GRY   | DR20C2GRY   |
|   | Green      | DR15C1GN    | DR20C1GN    | DR15C2GN    | DR20C2GN    |
|   | Ivory      | DR15C1I     | DR20C1I     | DR15C2I     | DR20C2I     |
|   | Lt. Almond | DR15C1LA    | DR20C1LA    | DR15C2LA    | DR20C2LA    |
|   | Red        | DR15C1R     | DR20C1R     | DR15C2R     | DR20C2R     |
| White   | DR15C1WHI  | DR20C1WHI   | DR15C2WHI   | DR20C2WHI   |             |
| Smooth nylon face, Tamper-Resistant, decorator duplex, back and side wired. | Black      | DR15C1BLKTR | DR20C1BLKTR | DR15C2BLKTR | DR20C2BLKTR |
|   | Blue       | DR15C1BLTR  | DR20C1BLTR  | DR15C2BLTR  | DR20C2BLTR  |
|   | Brown      | DR15C1TR    | DR20C1TR    | DR15C2TR    | DR20C2TR    |
|   | Gray       | DR15C1GRYTR | DR20C1GRYTR | DR15C2GRYTR | DR20C2GRYTR |
|   | Green      | DR15C1GNTR  | DR20C1GNTR  | DR15C2GNTR  | DR20C2GNTR  |
|   | Ivory      | DR15C1ITR   | DR20C1ITR   | DR15C2ITR   | DR20C2ITR   |
|   | Lt. Almond | DR15C1LATR  | DR20C1LATR  | DR15C2LATR  | DR20C2LATR  |
|   | Red        | DR15C1RTR   | DR20C1RTR   | DR15C2RTR   | DR20C2RTR   |
|   | White      | DR15C1WHITR | DR20C1WHITR | DR15C2WHITR | DR20C2WHITR |



DR15C2GRYTR

### Permanent Controlled Receptacle Label

| Description  | Catalog Number |
|--|----------------|
| For use in retrofit applications where indication of a controlled receptacle is required. This label is UL approved for marking and labeling. 60 labels of each per pack.* | CL60           |

\*Note: Complies with 2014 NEC®

# Automatic Receptacle Control Product Guide

## Online Resources

The Hubbell Wiring Device-Kellems website offers fast and convenient information through our online catalog, technical support, videos and more. The website also features a landing page on energy savings. Visit [www.hubbell.com](http://www.hubbell.com).

## Literature Support

Hubbell offers an extensive literature library for product support. Downloadable PDFs are available online.



Hubbell Wiring Device-Kellems  
Full Line Catalog



Tamper-Resistant Receptacles



Hubbell Load:Logic®  
Control Panels



Hubbell Load:Logic®  
Room Controller