



HUBBELL SNAPConnect® Surge Protective Devices

- Tamper-Resistant SNAPConnect® surge receptacles solves three needs with one product.
- Ideal for use in classrooms and computer labs, where a Tamper-Resistant receptacle is preferred
- SNAPConnect® devices reduce labor time during installation and when being serviced in the future
- Excellent surge protection to protect sensitive electronic equipment



Hubbell's TR SNAPConnect surge receptacles are available 15A and 20A in both specification grade and hospital grade. The product features an audible alarm and flashing green LED indicator to alert the user if the surge protector does its job and the MOV is no longer providing protection. The device features a muting screw which allows the user to turn the audible alarm off while replacement of the device is scheduled.

Hubbell also offers a comprehensive surge receptacle offering. Please visit www.hubbell-wiring.com for more information.

APPLICATIONS

- Pediatric wards
- Classrooms
- Computer labs
- Libraries
- Day care facilities
- Hospitals
- Doctors offices



SPECIFICATIONS

- Type-2 Pole, 3 Wire, Grounding
- Rating-15A, 125V AC/20A, 125V AC
- Materials:
 - Top & Base - Nylon
 - Power Contact - .031" (.8) Brass Alloy
 - Contact Design - Tandem Modified Bypass
 - Mounting Strap - .050" (1.3) Steel-Zinc Coated
 - Auto Ground Staple - Stainless Steel
 - Mounting Screws - Steel-Zinc Plated
 - LED - Green
- Performance - Electrical
 - Frequency - 60Hz
 - Voltage - 120V AC + 10%-15%
 - Response Time - Approximately 5 ns
 - Protection Modes - Normal and Common Modes
 - Transient Suppression:

	Peak Energy	Peak Current
	(10 X 100 μs)	(8 X 20 μs)
Normal Mode (L-N)	240 joules	15000A
Common Mode (L-G), (N-G)	240 joules	15000A
UL Voltage Protection Rating	600 L-N, 600 L-G	1000 N-G
 - EMI/RFI Attenuation at 50 Ohms Normal Mode - -40 dB
 - Operating Temperature - -32°F to 140°F (0°C to 60°C)
 - Flammability - UL 94V-2

LISTINGS/CERTIFICATIONS

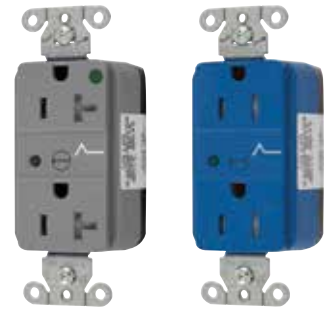
- Certification-UL Listed File E2186
- Listed to UL Standards 498 Receptacles
- Listed to UL1449 3rd Edition
- cULus
- ANSI/IEEE C62.41 (IEEE 587)



ORDERING INFORMATION

SNAPConnect® TR Surge Protection Receptacle with Power Indicating LED

Color	Hospital Grade ●		TR	Commercial Grade		TR
	15A 125V	20A 125V		15A 125V	20A 125V	
Blue	SNAP8262S	SNAP8362S		SNAP5262S	SNAP5362S	
Gray	SNAP8262GYS	SNAP8362GYS		SNAP5262GYS	SNAP5362GYS	
Ivory	SNAP8262IS	SNAP8362IS		SNAP5262IS	SNAP5362IS	
Light Almond	SNAP8262LAS	SNAP8362LAS		SNAP5262LAS	SNAP5362LAS	
Red	SNAP8262RS	SNAP8362RS		-	-	
White	SNAP8262WS	SNAP8362WS		SNAP5262WS	SNAP5362WS	



SNAP8362GYS

SNAP5262S

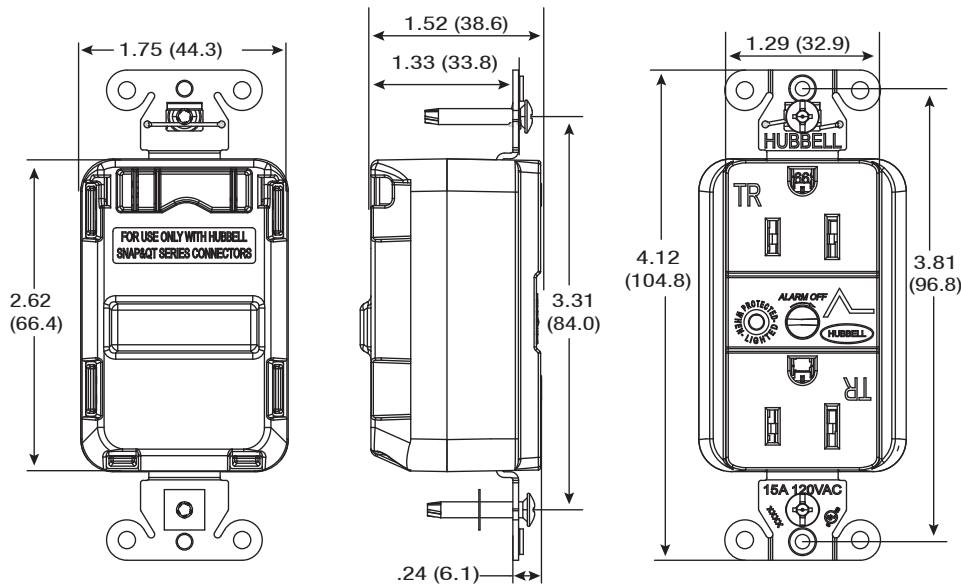
SNAPConnect® Right Angle Pigtailed Connector, 600V

Description	Solid Wire	Stranded Wire
Clear right angle terminal with 6 inch leads #12 AWG THHN/THWN-2; polycarbonate housing material	SNAP1RA	SNAP2RA



SNAP1RA

DIMENSIONS Inches (mm)



Also Available from Hubbell



Surge Panels

Wired-In Branch Panels

Surge Strips

Specialty Surge Strips

Surge Receptacles