

Hubbell's hazardous location line of non-fused disconnect and mechanical interlock switches are typically used for applications with the presence of flammable gasses or vapors, ignitable dusts and fibers. They are also suitable for use in outdoor or indoor damp, wet and dirty locations or in areas where frequent wash downs, heavy rain, or water spray routinely occurs. These switches are compact in size to reduce cost and make it easier to position on the wall or piece of equipment. The enclosures are made of copper-free aluminum and have a polyester/epoxy finish to prevent corrosion. The high visibility handles can be locked out to comply with OSHA lock out/tag out regulations. The switched receptacles are mechanically interlocked to prevent connections from being mated or broken under load.

Disconnect Switches



Hazardous Location Non-Fused Disconnect Switches



HBLB7NFD13A

Class I, Div. 1 & 2, Groups B,C,D
 Class I, Zones 1 & 2, Groups IIB+ H2, IIA
 Class II, Div. 1 & 2, Groups E,F,G
 Class III
 NEMA 3, 4, 4X, 7(B,C,D), 9(E,F,G)



HBLB7NFD26A

STANDARD MATERIALS /FINISH

- Enclosures: Copper-free aluminum (less than 4/10 of 1% copper content)
- Cover Bolts: 316 Stainless Steel
- O-Ring Gasket: Silicone
- Finish: Grey Powder Polyester painted exterior, electrostatically applied
- Ratings: 600 VAC, 230VDC 30–100 Amp

FEATURES

- Compact size enclosures provide application flexibility with cost savings over industry standard sizes
- Fewer cover bolts reduces installation and maintenance time
- Gasketed flange with O-ring located in side bolt circle to seal out moisture
- Rotary handle style operating mechanism with lockout provision as standard
- Removable ductile mounting lugs adjust to irregular mounting surfaces
- Bodies have top and bottom drilled and tapped conduit entrances for power connection
- UL98 certified switch

ORDERING INFORMATION

Catalog Number*	Switch Amps/Phase	Single Phase HP			Three Phase HP			DC HP 230 VDC	Terminal Wire Size**	Conduit Sizes
		120 VAC	230 VAC	208 VAC	230 VAC	480 VAC	600 VAC			
HBLB7NFD13A	30 / 3P	2	5	10	10	20	30	1	#14-10	1 NPT
HBLB7NFD26A	60 / 3P	3	7.5	20	20	40	40	10	#14-4	1½ NPT
HBLB7NFD21A	100 / 3P	5	15	25	30	50	50	20	#8-1	1½ NPT

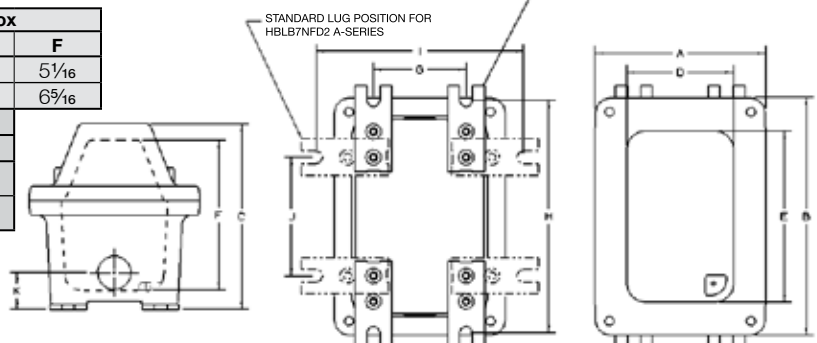
*Add an additional "A" suffix for one set of auxiliary contacts (1 NC/1 NO). **Use Min. 75° C wire.

ENCLOSURE DIMENSIONS

	Outside Box			Inside Box		
	A	B	C	D	E	F
30 AMP	5¾	8¼	6½	3½	5¼	5¼
60 & 100 AMP	8½	13¼	7¼	4¼	9¼	6¾
Mounting Dimensions						
	G	H	I	J	K	
30 AMP	3½	8½	–	–	1¼	
60 & 100 AMP	2½	11¾	6¾	7½	1¼	

FIXED LUG POSITION FOR HBLB7NFD13A
 OPTIONAL POSITION FOR HBLB7NFD2 A-SERIES

STANDARD LUG POSITION FOR HBLB7NFD2 A-SERIES





Hazardous Location Non-Fused UL1686 Mechanical Interlocks and Plugs



VSQ Hazardous Location Ratings
 Class I, Div. 1 & 2, Groups B,C,D
 Class I, Zones I & 2, Groups IIB+H₂, IIA
 Class II, Div. 1 & 2, Groups F & G
 Class III
 NEMA 3, 4, 4X, 7 (B,C,D), 9 (F,G)



ORDERING INFORMATION

AMP	Circuit	Receptacle	Plug
30 AMP	2W 3P	HBLVSQ3023	HBLVP3385
600V AC	3W 4P	HBLVSQ3034	HBLVP3485
60 AMP	2W 3P	HBLVSQ6023	HBLVP6385
600V AC	3W 4P	HBLVSQ6034	HBLVP6485

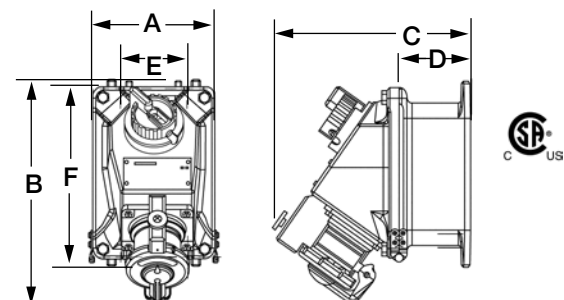
NOTES: HBLVSQ 30 Amp models come standard with 1" drilled and tapped conduit openings top and bottom plus two 1" x 3/4" reducers and one 3/4" close-up plug for maximum flexibility.
 60 amp models come with one 1 1/2" opening on top and bottom and one 1 1/2" close-up plug.

HORSEPOWER RATINGS (VAC)*

AMP	Circuit	120	240	480	600
30 AMP	1Ø	2	5	10	15
	3Ø	3	7.5	15	20
60 AMP	1Ø	-	10	15	20
	3Ø	-	10	25	30

*Internal switch only.

DIMENSIONS



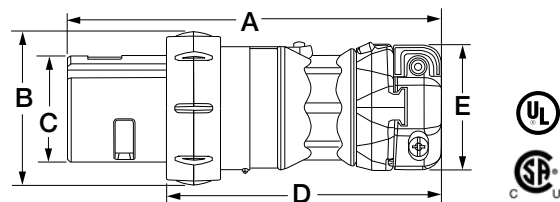
Dimensions inches (mm)

	A	B	C	D	E	F
30A	5.75 (146)	10.50 (267)	9.75 (248)	3.75 (95)	3.13 (79)	8.13 (206)
60A	8.13 (206)	14.16 (360)	11.28 (287)	4.03 (102)	2.50 (64)	11.38 (289)

FEATURES

- Product is UL1686 and is fully interchangeable with other UL1686 configured and listed devices
- NEMA 4X with receptacle lid turned shut or with plug locking ring tightened
- Copper-free aluminum construction with electrostatically applied polyester/epoxy finish. Handle mechanism is chemical resistant Valox® (TM Sabic).
- Compact size and footprint
- Plug and switch are interlocked. Switch cannot be turned "ON" without fully inserted plug. Plug cannot be removed with switch in "ON" position
- Plug held in place when switch is "Off" for convenience. Pull operated release mechanism.
- Easily visible "On-Off" indicator handle
- "Off" position is padlockable for maintenance safety
- Auxiliary Contact (late-make early-break) contact rated 10 Amp, 1/3 HP at 125/250VAC. Can be used for operating pilot lights or starter coils
- Feed-through construction
- Internal switch horsepower rated as "suitable as a motor disconnect"

Wire Range	30A	60A
Reg. Stranded	#10 - #6	#6 - #4
Extra Flex	#10 - #8	#6 - #4
Grip Range	.55-1.2 (14-30)	.65-1.5 (16-38)



Dimensions inches (mm)

	A	B	C	D	E
30A Both	6.69 (170)	3.00 (76)	1.88 (48)	5.38 (137)	2.53 (64)
60A, 3 Pole	8.81 (224)	3.38 (86)	2.25 (57)	6.50 (165)	3.00 (76)
60A, 4 Pole	8.81 (224)	3.69 (94)	2.53 (64)	6.50 (165)	3.00 (76)