

HUBBELL SNAPConnect® USB Charger Duplex Receptacle

More Power - Charge Faster... ...Just a Snap Away!

- 3 Amps of USB Capacity
 - Charge Multiple Portable Devices Simultaneously
- Stainless Steel Ports
 - Rated for Minimum 10,000 Insertions and Removals

FEATURES

- Two USB ports 3 Amp, 5V DC, type A, class 2.0
- Green LED indicator lights when charging
- Heavy duty stainless steel USB ports; rated for minimum 10,000 cord insertions and removals
- SNAPConnect® eliminates exposed live parts

SPECIFICATIONS

- Electrical Ratings: 15 or 20 Amp, 125V AC
- USB 3 Amp, 5V DC
- Input voltage: 125V AC, 60Hz
- SNAPConnect® termination
- Dielectric withstand: 1500V AC for 1 minute
- Operating temperature: maximum continuous 75°C; minimum -40°C (without impact)
- Meets UL94 for 5V flammability rating
- Complies with battery charging specification USB BC1.2
- Compatible with USB 1.1/2.0/3.0 devices, including Apple® products
- Complies with Part 15 of the FCC rules
- cETLus listed to UL498 and UL1310



Hubbell's SNAPConnect® USB Charger provides USB power in a standard single gang electrical opening. Designed to provide maximum charging for portable electronics, the USB ports are capable of delivering a total of 3 amps to multiple portable electronics simultaneously.

APPLICATIONS

SNAPConnect® is the ideal product solution for repetitive high volume projects or demanding locations with the potential for frequent device change-outs. Typical use in new construction and renovation to add capacity for USB charging. Especially suited for use in universities, dormitories, hotels, hospitals, medical labs, restaurants, airports, classrooms and homes.

Designed for use with:

- | | |
|------------------------------------|---------------------------------|
| ■ Apple® Products | ■ Tablet Computers |
| — iPad® | ■ Smart Phones |
| — iPod® | ■ Mobile Phones |
| — iPhone® | ■ MP3 Players |
| ■ Digital Readers | ■ GPS |
| ■ Smart Watches | ■ Other USB compatible products |
| ■ USB fans, lights and accessories | |

Apple, iPad, iPod and iPhone are registered trademarks of Apple Inc.





ORDERING INFORMATION

SNAPConnect® USB Charger Duplex Receptacles

Description	Color	15A 125V AC	20A 125V AC
SNAPConnect® USB Charger Tamper-Resistant Receptacle, two USB type 2.0 ports 3 Amp, 5 Volt DC, 15 or 20 Amp, 125 Volt AC, Style Line® decorator duplex	Black	SNAP15USBBK	SNAP20USBBK
	Brown	SNAP15USB	SNAP20USB
	Gray	SNAP15USBGY	SNAP20USBGY
	Ivory	SNAP15USBI	SNAP20USBI
	Light Almond	SNAP15USBLA	SNAP20USBLA
White	SNAP15USBW	SNAP20USBW	
Hospital Grade SNAPConnect® USB Charger Tamper-Resistant Receptacle, two USB type 2.0 ports 3 Amp, 5 Volt DC, 15 or 20 Amp, 125 Volt AC, Style Line® decorator duplex	Black	SNAP8200USBBK	SNAP8300USBBK
	Brown	SNAP8200USB	SNAP8300USB
	Gray	SNAP8200USBGY	SNAP8300USBGY
	Ivory	SNAP8200USBI	SNAP8300USBI
	Light Almond	SNAP8200USBLA	SNAP8300USBLA
	Red	SNAP8200USBR	SNAP8300USBR
	White	SNAP8200USBW	SNAP8300USBW



SNAPConnect® Receptacle Connector

Description	Wire Type	15/20A 125V AC
Clear right angle terminal with 6 inch leads #12 AWG THHN/THWN-2; Polycarbonate housing material	Solid	SNAP1RA
	Stranded	SNAP2RA



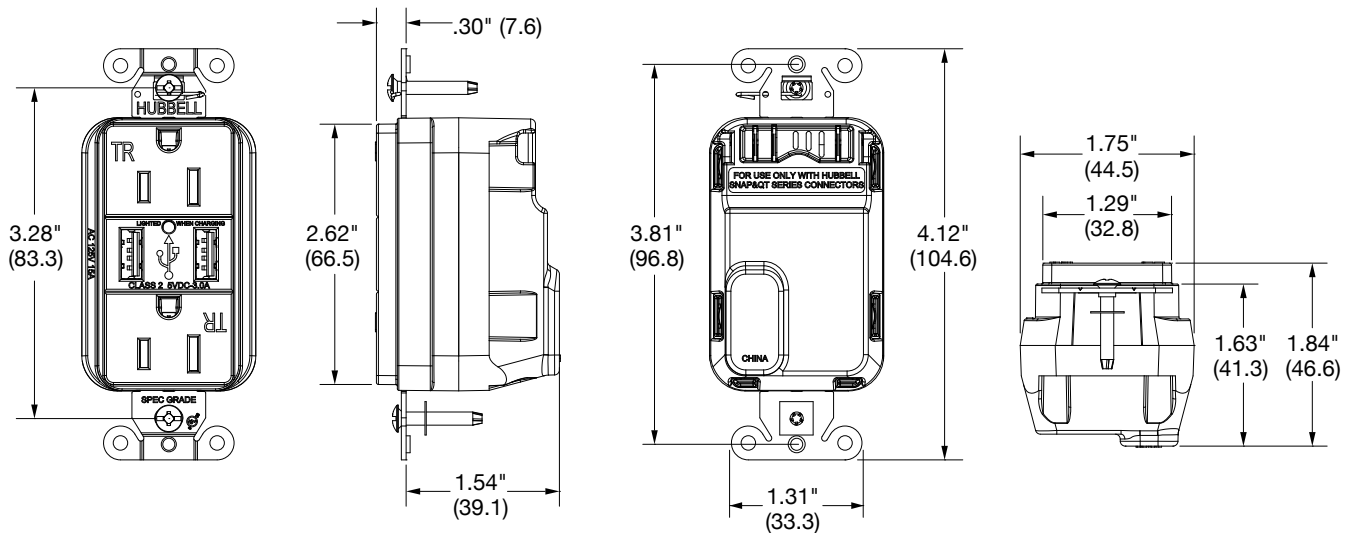
Energy Information

120V AC Input Power	Energy consumed when USBs are not in use		Energy consumed when USBs are fully used	
	No Load Current	.004A	Full Load Current	.323A
	No Load Watts	.21W	Full Load Watts	19.7W

This outlet is capable of delivering up to 3 Amps, 5V DC of USB power. If multiple portable devices are plugged in the individual ports will allocate power as determined by the portable devices.

Suitable for use on circuits with AFCI and GFCI protection.

DIMENSIONS Inches (mm)



Note: For use with boxes deeper than 1.5" having internal AC/MC clamps.

