

# Dual Function AFCI/GFCI Receptacles

**HUBBELL**<sup>®</sup>  
Wiring Device-Kellems



## **Ground Fault and Arc Fault Protection in ONE Device**

- Provides people protection from harmful ground faults by limiting the level of leakage current available.
- Detects potentially hazardous electrical arcing in a circuit and interrupts power upon recognition.

## **Compliant to National Electric Code (NEC<sup>®</sup>)**

- NEC<sup>®</sup> section 210.12 requires arc fault circuit interrupting protection in dwelling units, dormitory units and on dwelling unit branch circuits that are extended or modified.
- Dwelling units include all 120 volt, single phase, 15 and 20 ampere branch circuits supplying outlets in dwelling unit kitchens, family rooms, dining rooms, living rooms, libraries, dens, bedrooms, laundry rooms and similar living areas.
- Compliant to NEC 406.4 as a replacement for ungrounded receptacles for both AFCI and GFCI protection.

## **Application Advantage versus Dual Function Breaker**

- Dual Function AF/GF Receptacle provides localized test/reset access and clear indication of power, trip or end of life condition.
- Cost effective and easy to install.



# Dual Function AFCI/GFCI Receptacles

**HUBBELL®**  
Wiring Device-Kellems

## FEATURES AND BENEFITS

- Cost effective solution conveniently located within living space; clearly visible, easily resettable if necessary
- Dual functionality, interrupts power if a ground fault or arc fault is detected
- Safety feature prevents device from resetting if it can no longer provide protection or is reverse wired
- Intuitive visual indication is provided for power (LED green on); trip condition (LED green off)
- Clear indication if unit can no longer provide protection (LED red flashes) and will not reset

## Ordering Information

Description	Color	15 Amp	20 Amp
Outlet Branch Circuit – AFCI/GFCI	Black	<b>AFGF15TRBK</b>	<b>AFGF20TRBK</b>
Tamper Resistant Receptacle	Brown	<b>AFGF15TR</b>	<b>AFGF20TR</b>
20A Feed Through	Gray	<b>AFGF15TRGY</b>	<b>AFGF20TRGY</b>
Dual Function Arc Fault/Ground Fault Circuit Interrupter	Ivory	<b>AFGF15TRI</b>	<b>AFGF20TRI</b>
	Light Almond	<b>AFGF15TRLA</b>	<b>AFGF20TRLA</b>
	White	<b>AFGF15TRW</b>	<b>AFGF20TRW</b>

## NATIONAL ELECTRIC CODE NEC® REFERENCE

**NEC® 2017** All kitchens and laundry areas require both AFCI and GFCI protection

**NEC® 406.4** Compliant as a replacement for ungrounded receptacles

**NEC® 210.12** Compliant for modifications or extensions to existing branch circuits



## Ratings

Amperage	15 Amp/20 Amp
Feed-thru	20 Amp Protection
Voltage	120V AC (+10% to -15%) (102V to 132V)
Horsepower	(1) @ 120V AC
Flammability	Rated V2 per UL 94
Operating Temperature	(-35°C to 66°C) or (-30°F to 150°F)

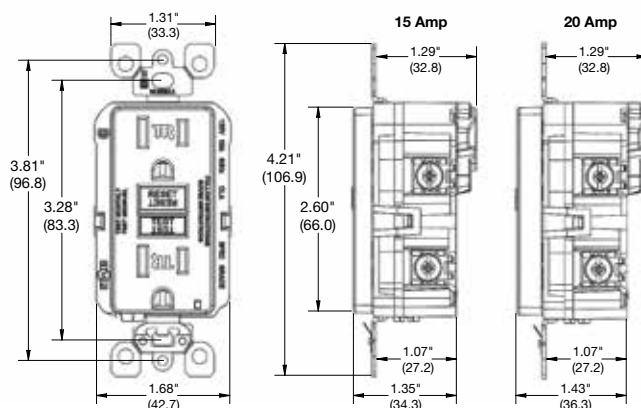
## Certifications

UL 1699A	E485931
UL 498	Receptacle
UL 943	GFCI
UL Fed Spec	WC-596
CSA Standard	C22.2 No. 42
CSA Tech	Letter No. M-02A
NEMA	WD-6

## Construction

Termination	Back and Side
Terminal	#14-10 AWG
Grounding	Autoground Clip
Indicators	Power, Trip, End of Life
Configuration	2 Pole, 3 Wire
NEMA	5-15R, 5-20R

## Dimensions In (mm)



## Receptacles are also available in:

**GFCI Protection Only  
in 15A and 20A**



**GFTRST20W**

**AFCI Protection Only  
in 15A and 20A**



**AFR15TRBK**

**HUBBELL®**  
Wiring Device-Kellems

[www.hubbell-wiring.com](http://www.hubbell-wiring.com)

