

*Compliant Dimming Control
for Energy Efficiency Codes
and Standards*

Compact & Simple Design

The Hubbell Low Voltage Wall Switch with 0-10V dimming is the absolute choice for applications where occupancy-based control and low voltage dimming are desired. The compact switch design is ideal for use in private offices, conference rooms, classrooms and multimedia learning centers.

It features a standards-compliant smooth dimming operation that remembers the last state dimming level. The LED pilot light clearly indicates status. Available in auto ON, manual ON and bi-level switching operation modes, the switch meets or exceeds today's energy efficiency codes and standards.

Designed for use with Hubbell control modules and industry-standard 0-10V dimming devices, the compact decorator design makes it compatible with a variety of wall plates for an aesthetically pleasing finish.



- Low voltage switching and dimming in a single unit
- Auto ON, manual ON or bi-level switching control
- Intuitive LED pilot light
- IEC 60929 Annex E.2 compliant 0-10V dimming
- Stylish single gang design



Low Voltage Wall Switches with 0-10V Dimming

Low Voltage Wall Switches with 0-10V Dimming

Description	Color	Catalog Number
Manual ON operation mode	Gray	DSM010GY
	Ivory	DSM010I
	Light Almond	DSM010LA
	White	DSM010W
Auto ON operation mode	Gray	DSL010GY
	Ivory	DSL010I
	Light Almond	DSL010LA
	White	DSL010W
Bi-Level Switching Control: 1 Load Auto ON 1 Load Manual ON	Gray	DSC010GY
	Ivory	DSC010I
	Light Almond	DSC010LA
	White	DSC010W



DSM010W



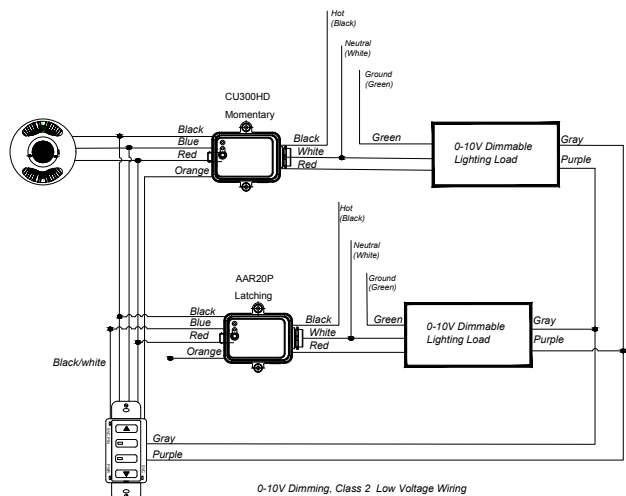
DSL010I



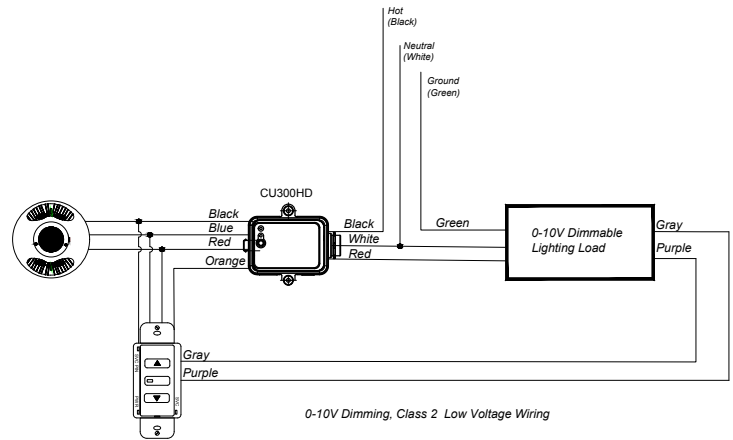
DSC010LA

Specifications

Electrical Ratings	100mA @ 30VDC Max to interface with Hubbell CU300 Series control units
Configurations	3 & 4 buttons with LED pilot light
Dimming	Current Sinking Capacity: 50mA
Operating Environment	Indoor Use only
Operating Temperature	32 to 122°F (0 to 50°C)
Relative Humidity (non condensing)	10%-90%
Construction	Housing: Rugged, high impact, injection molded plastic, color coded leads
Certifications	cULus
Listings	UL60730-1, CSA E60730-1:15
Warranty	3-year limited



DSC010 Series
Bi-Level Lighting Control



DSM010 Series
Vacancy Operation Lighting Control