

Insul-Lock™ Connectors and Panel Mounts

Miniature 25 Amp Power Connections for Entertainment Applications

Ideal for use with LED lighting and other applications including multiple screen video walls. The rear of the connector is black to blend in when used in visible areas.

Available in both inline and panel mount styles, Hubbell's Insul-Lock™ Connectors have a quick release, vibration resistant latch. Hubbell's connections intermate with other similar brands.



FEATURES

Connectors accept up to #12/3 AWG SO cable

Color coded blue for power in and gray for power out

Panel mount devices accept commonly available .25" Spade style connectors.

Industry standard mating

Impact-resistant thermoplastic construction

BENEFITS

Meets NEC 520.68 requirements for extra-hard usage cords or cables.

Complies with existing industry conventions

Simplifies installation for domestic OEM's

Interchangeable with installed base

Suitable for use in UL1640 applications



Insul-Lock™ Connectors and Panel Mounts

HUBBELL®
Wiring Device-Kellems

Inline Connectors

Amps	Style	Color	Catalog Number
25 Amp	Power In	Blue	HBLCPIBL
25 Amp	Power Out	Gray	HBLCPOGY



HBLCPIBL



HBLCPOGY

Panel Mounts

Amps	Style	Color	Catalog Number
25 Amp	Power In	Blue	HBLPMIBL
25 Amp	Power In, Divided	Blue	HBLPMIDBL
25 Amp	Power Out	Gray	HBLPMOgy
25 Amp	Power Out, Divided	Gray	HBLPMODGY



Power In



HBLPMIBL



**Divided
HBLPMIDBL**



Power Out



HBLPMOgy



**Divided
HBLPMODGY**

Accessories

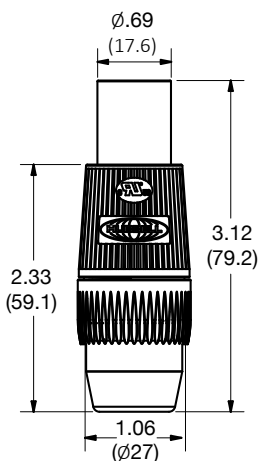
Description	Catalog Number
Panel Mount Retainer Plate	HBLMPRP
Panel Mount M3x.5 Screw, 8mm Long	HBLPMSC

Certifications

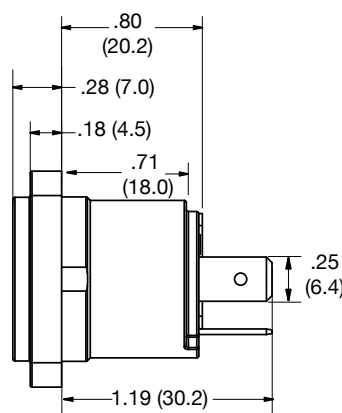
UL Recognized component for USA and Canada



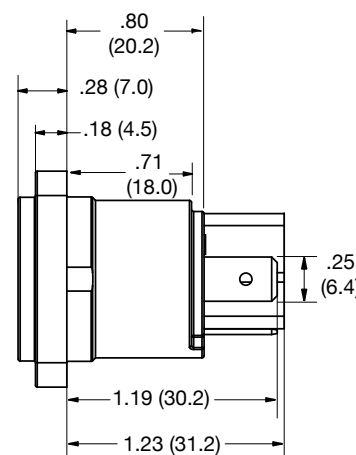
Not for make or break under load.



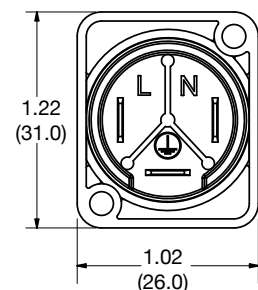
**HBLCPIBL,
HBLCPOGY**



**HBLPMIBL,
HBLPMOgy**



**HBLPMIDBL,
HBLPMODGY**



**HBLPMIBL, HBLPMOgy
HBLPMIDBL, HBLPMODGY**

HUBBELL®
Wiring Device-Kellems

www.hubbell-wiring.com

