

# Heavy Duty, Specification Grade Tamper-Resistant Duplex Receptacles

- Patented TR design eliminates plug-in difficulty and TR complaints
- Fed-Spec UL listing insures proven performance in demanding applications
- Perfect for schools, universities, and other institutional applications where safety and performance are critical



## Features

- For use in NEC® locations requiring Tamper-Resistant receptacles
- Best-in-class TR mechanism
- Fed-Spec UL listed
- Engineered, Designed, and Assembled in USA
- Tested to UL Hospital Grade test standards for impact resistance and abrupt plug pull-out
- NAFTA and Trade Act Compliant

## APPLICATIONS

- Schools and Universities
- Hotels and Convention Centers
- Assisted Living Facilities
- Transportation Centers
- Military Barracks

The Hubbell Tamper-Resistant Mechanism eliminates the frustration and difficulty experienced using TR receptacles with plugs that have sharp, or bent blades. Hubbell TR receptacles work so well there is virtually no perceptible difference in the feel between these TR receptacles and our conventional non-TR duplexes. Trust Hubbell to deliver Tamper-Resistant protection that feels like it's not even there!

## Tamper-Resistant... **NOT** Plug Resistant™

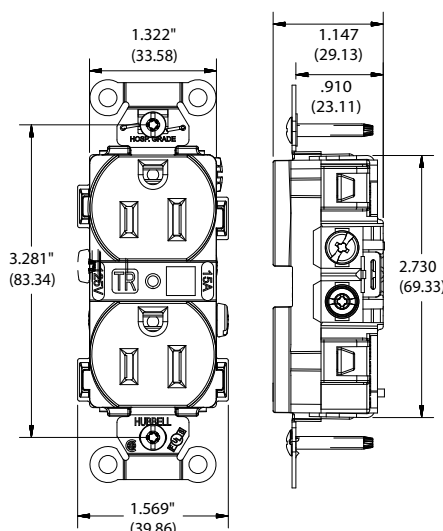


# Heavy Duty, Specification Grade Tamper-Resistant Duplex Receptacles



## Heavy Duty, Spec. Grade Tamper-Resistant Receptacles

Description	Color	15A 125V	20A 125V
Smooth nylon face, back and side wired, duplex	Black	<b>HBL5262BKTR</b>	<b>HBL5362BKTR</b>
	Blue	<b>HBL5262BLTR</b>	<b>HBL5362BLTR</b>
	Brown	<b>HBL5262TR</b>	<b>HBL5362TR</b>
	Gray	<b>HBL5262GYTR</b>	<b>HBL5362GYTR</b>
	Ivory	<b>HBL5262ITR</b>	<b>HBL5362ITR</b>
	Light Almond	<b>HBL5262LATR</b>	<b>HBL5362LATR</b>
	Red	<b>HBL5262RTR</b>	<b>HBL5362RTR</b>
	White	<b>HBL5262WTR</b>	<b>HBL5362WTR</b>



### Tamper-Resistant Receptacles



Per 2014 National Electrical Code (NEC®) Article 406.12, 406.13, 406.14; all 125 volt, 15 and 20 amp receptacles in dwelling units, lodging guest rooms and suites, and child care facilities shall be a listed tamper resistant type. Dwelling units are defined as a single unit, providing complete and independent living facilities for one or more persons, including permanent provisions for living, sleeping, cooking and sanitation. Listed devices are required to have a TR marking on the face visible when installed without a cover plate.

## More Tamper-Resistant Receptacles

### Hubbell-PRO Hospital Grade • Tamper-Resistant Receptacles

Description	Color	Duplex		Style Line® Decorator	
		15A 125V	20A 125V	15A 125V	20A 125V
Smooth nylon face, back and side wired	Black	<b>8200BKTRA</b>	<b>8300BKTRA</b>	<b>2172BKTRA</b>	<b>2182BKTRA</b>
	Brown	<b>8200TRA</b>	<b>8300TRA</b>	<b>2172TRA</b>	<b>2182TRA</b>
	Gray	<b>8200GYTRA</b>	<b>8300GYTRA</b>	<b>2172GYTRA</b>	<b>2182GYTRA</b>
	Ivory	<b>8200IVTRA</b>	<b>8300IVTRA</b>	<b>2172IVTRA</b>	<b>2182IVTRA</b>
	Light Almond	<b>8200LATRA</b>	<b>8300LATRA</b>	<b>2172LATRA</b>	<b>2182LATRA</b>
	Red	<b>8200REDTRA</b>	<b>8300REDTRA</b>	<b>2172REDTRA</b>	<b>2182REDTRA</b>
	White	<b>8200WTRA</b>	<b>8300WTRA</b>	<b>2172WTRA</b>	<b>2182WTRA</b>

Also available in Commercial and Residential Receptacles. \*  
Visit the Hubbell online catalog for more information.