

LED Nightlight Wiring Devices

Lighting the way to Safety.



LED Nightlight Devices Provide Light Without Wasting Energy.



- ✓ LED Illumination for Energy Efficiency
- ✓ Designed with Safety in Mind
- ✓ Automatically Turns On and Off



When you think safety, think Hubbell. The nightlight family of products from Hubbell combine the function of a wiring device with the convenience of a nightlight. Designed to provide a guiding light, these devices are energy efficient, consuming between 0.5-1 watt. Available in duplex tamper resistant receptacles, decorator switches and decorator nightlight, there is a device for every application.

Nightlight wiring devices can be used in many commercial and residential applications as an alternative to plug-in nightlights. These products are designed for permanent installation and equipped with a photo cell to automatically turn on and off depending on the amount of ambient light present. Everyday plug-in nightlights are bulky, easily damaged, and occupy outlets that may be needed. Hubbell offers nightlight devices in a compact and aesthetically pleasing Style Line® decorator receptacle, switch or nightlight.

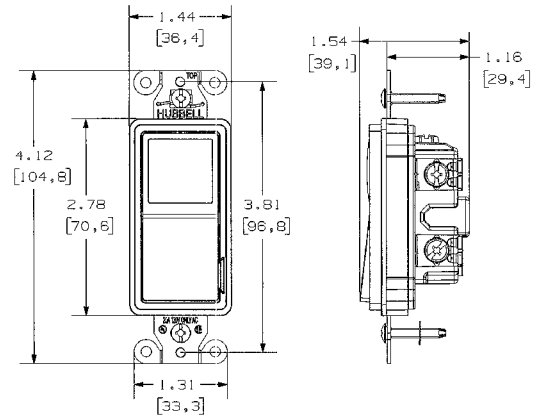
Ordering Information

Nightlight Decorator Switches

- LED 0.5 Lumen Nightlight with Polycarbonate Lens
- Impact Resistant Thermoplastic Rocker and Base
- Large Illuminated Area



Description	Single Pole 20A, 120/277V AC
Ivory	DS120NLIV
Light Almond	DS120NLLA
White	DS120NLWH

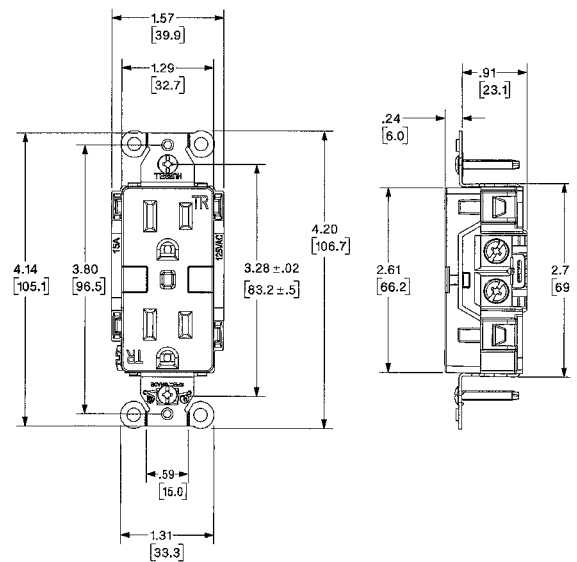


Nightlight Receptacle

- 2 LED Nightlight Sources for 0.5 Lumens Total
- Tamper Resistant Shutters Complies with NEC Article 406.12
- Back and Side Wired



Description	15A 125V AC NEMA 5-15R
Ivory	DR15NLIV
Light Almond	DR15NLLA
White	DR15NLWH



Nightlight Only

- LED 1.5 Lumen Nightlight w/ Polycarbonate Lens
- Full face lens for maximum illumination
- 6" Pre-wired Stranded Wire with 1/2" stripped ends



Description	120V AC
Ivory	DD100NLIV
Light Almond	DD100NLLA
White	DD100NLWH

