

Countertop Receptacles



Because Spills Happen



Hubbell Countertop Receptacles are the first pop-up receptacles UL listed for countertop applications and permanent installations.

UL 498 Section 146

Built and listed to be water resistant to a half gallon of liquid spilled on the device.

NEC 406.5(E)

Receptacle assemblies for installation in countertop surfaces shall be listed for countertop application.

**Hubbell Countertop Receptacles
are Spill Test Compliant**



Countertop Receptacles



Hubbell Pop-Up Receptacles for countertops provide a power source ideal for kitchen and bath counters and islands. Hubbell is the first to market a countertop receptacle that is UL Listed. It allows compliance with NEC® 406.5(E) [countertops], 406.5(F) [work surfaces], and 406.5(H) [seating areas]. Pop-Up Receptacles are tested and water resistant to a half gallon spill. The receptacles feature Hubbell's patent pending silicone gaskets and patented cam action tamper-resistant technology.

Features

- Surface or flush mount options with seven different finishes
- Compact design
- Water and tamper-resistant receptacle
- Easy push down to pop-up function is rated for a minimum of 10,000 cycles (OPEN/CLOSE)
- Permanent installation ready
(suitable for MC cable or non-metallic sheath cable)
- c us Listed file# E2186



Surface Mount

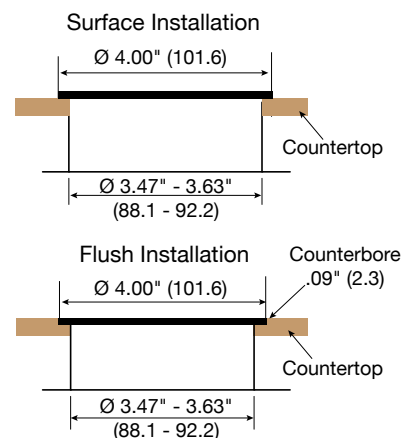
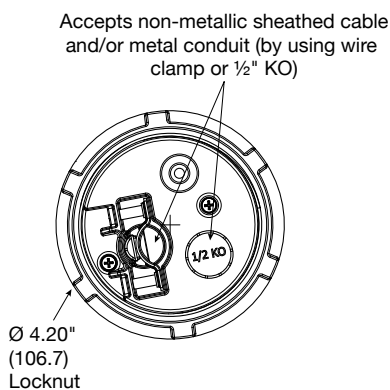
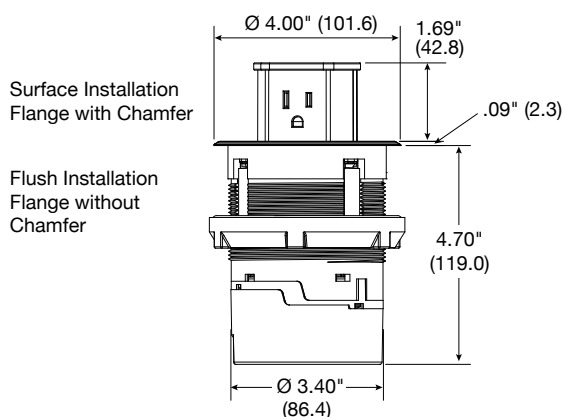
Ordering Information

Description	Finish	Color/Material	Surface Mount	Flush Mount
15A 125V Tamper-Resistant Pop-Up Kitchen Counter Receptacle, Rated for 20A circuits	Powder Coated	Black	RCT200BK	RCT201BK
		White	RCT200W	RCT201W
	Brushed	Aluminum	RCT200ALU	RCT201ALU
		Brass	RCT200BR	RCT201BR
		Nickel	RCT200NI	RCT201NI
	Polished	Chrome	RCT200CH	RCT201CH
	Matte	Bronze	RCT200BZE	RCT201BZE



Flush Mount

Dimensions Inches (mm)



Note: Recommended to be fed by a GFCI circuit, up to 20 Amp Service.