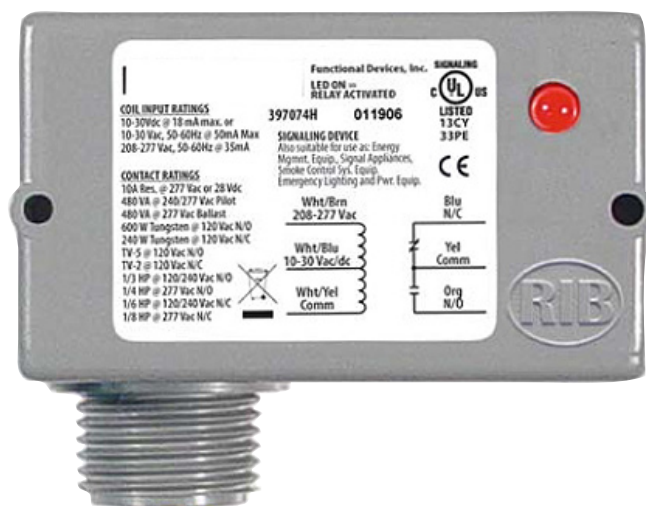




Key Features

- 10 Amp SPDT Relay
- Available with either 10-30 VAC/DC/120 VAC Coil or 10-30 VAC/DC/208-277 VAC Coil
- LED status indicator
- N.O. and N.C. isolated contacts
- UL and cUL listed
- One-year warranty

Hubbell's Enclosed 10 Amp SPDT Relays provide an isolated N.O. / N.C. contact that can be used to integrate low voltage sensors to other building automation systems. The coil contained in these relays can be powered by more than one voltage. An externally visible LED indicates the status of the coil of the relay.



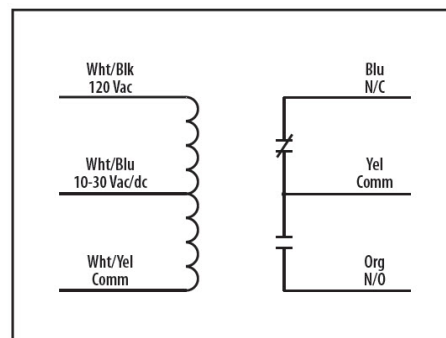
Enclosed 10 Amp SPDT Relays

Description	Catalog Number
Enclosed Relay 10 Amp SPDT with 10-30 VAC/DC/120 VAC Coil	AAR10C120
Enclosed Relay 10 Amp SPDT with 10-30 VAC/DC/208-277 VAC Coil	AAR10C277

AAR10C120
Enclosed Relay 10A SPDT with 10-30V AC/DC
120V AC Coil

Specifications

# Relays & Contact Type	One (1) SPDT Continuous Duty Coil	
Expected Relay Life	10 million cycles minimum mechanical	
Contact Ratings	10 Amp resistive @ 277V AC	1/3 HP for N.O. @ 120-240V AC
	10 Amp resistive @ 28V DC	1/6 HP for N.C. @ 120-240V AC
	480 VA Pilot Duty @ 240-277V AC	1/4 HP for N.O. @ 277V AC
	480 VA Ballast @ 277V AC	1/8 HP for N.C. @ 277V AC
	600 Watt Tungsten @ 120V AC N.O.	
	240 Watt Tungsten @ 120V AC N.C.	
Coil Current	30 mA @ 10V AC	13 mA @ 10V DC
	32 mA @ 12V AC	15 mA @ 12V DC
	46 mA @ 24V AC	18 mA @ 24V DC
	55 mA @ 30V AC	20 mA @ 30V DC
	28 mA @ 120V AC (AAR10C120)	
	39 mA @ 208-277V AC (AAR10C277)	
Coil Voltage Input	AAR10C120: 10-30V AC/DC; 120V AC; 50-60Hz AAR10C277: 10-30V AC/DC; 208-277V AC; 50-60Hz Drop Out = 2.1V AC/2.8V DC Pull In = 9V AC/10V DC	
Operating Environment	-30° to 140°F	
Humidity Range	5 to 95% (Noncondensing)	
Operate Time	20mS	
Relay Status	LED On = Activated	
Dimensions	1.70" x 2.80" x 1.50" with .50" N.P.T. Nipple	
Housing Rating	Plenum, NEMA 1	
Gold Flash	Yes	
Wires	16", 600V Rated	
Certifications	UL Listed, UL916, UL864,cUL; California State Fire Marshal, CE, RoHS	
Warranty	1 Year	



AAR10C277
Enclosed Relay 10A SPDT with 10-30V AC/DC
208-277V AC Coil

