

H-MOSS[®] Occupancy Sensors

WL-Series Wireless Controls - Corner Mount Wall Sensor

HUBBELL[®]
Wiring Systems



Hubbell's corner-mount occupancy/vacancy sensor automatically controls lights through RF communication with compatible switching devices. The sensor utilizes an advanced passive infrared sensor that detects the movement of heat from people within an area to determine when the space is occupied. The sensor then wirelessly transmits the appropriate commands to the associated control devices to turn the lights on or off automatically. It combines both convenience and exceptional energy savings potential along with ease of installation.



WLP2500W



Key Features

- 2 settings available:
Auto-On/Auto-Off and Manual-On/Auto-Off for use with WLS1278
- Simplified 2 button, 6-second press and hold, commissioning procedure.
- Passive infrared motion detection with advanced digital signal processing for fine motion detection
- Adjustments available for Timeout, Activity, and Auto-On settings
- Accessible test buttons make setup easy
- Lens illuminates during test mode to verify coverage
- Multiple sensors can be added for extended coverage—refer to product specification submittal of receiving device to determine system limits
- 10-year battery life design

Communication Frequency

- 431.0 – 437.0 MHz
- Lutron[®] Clear Connect[™] RF technology enabled

Coverage Type

- Corner mount - 90° - 2500 ft²

Receiving Devices

WL-Series Wireless Controls



WLS1278 Series
Wireless Switches



WLC316R
Wireless Control Unit



*Clear Connect[™] is a registered trademark of Lutron Electronics Co., Inc.



H-MOSS[®] Occupancy Sensors

WL-Series Wireless Controls - Corner Mount Wall Sensor



Wireless Corner Mount Wall Sensor

- Detection at longer distances is best when motion occurs at right angles to the sensor.
- Multiple sensors can be used to extend coverage.
- Corner mount bracket included.



| Description | Catalog Number |
|---|-----------------|
| Corner mount - 90° - 2500 ft ² , White | WLP2500W |

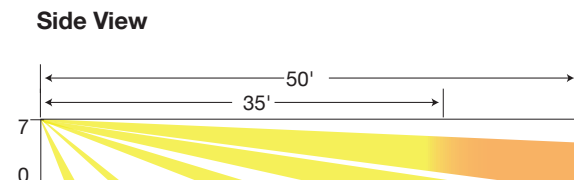
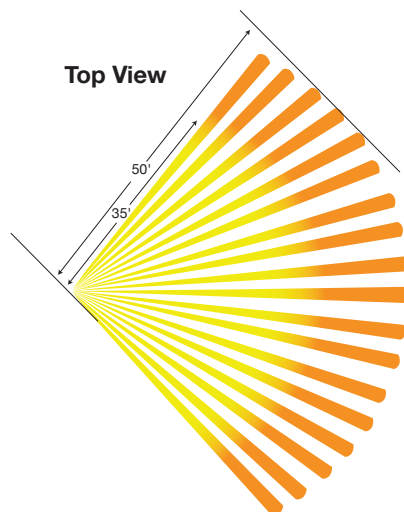
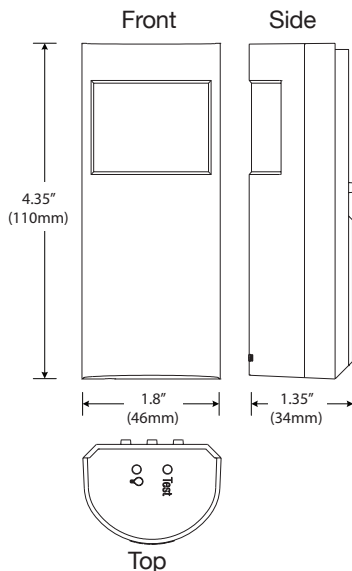
Compatible Controls: WSL1278xx switch, WLC316R control unit, or any Lutron Clear Connect Enabled Control Device

Specifications

| | |
|------------------------------------|---|
| Electrical | Operating voltage: 3 V _{DC} Operating current: 14 μA nominal 10-year battery life design Supplied with one CR 123 lithium battery Non-volatile memory (saved changes are stored during power loss) |
| Construction | High impact, UL 94-5V plastic |
| Operating Environment | Indoor use only Operating temperature: 32 °F to 104 °F (0 °C to 40 °C) |
| Range | RF range is 30 ft (10 m) obstructed , 60 ft (18 m) line of sight |
| Sensor Coverage Test | Dedicated test button Lens illuminates orange in response to motion during test mode |
| Wireless Communication Test | Dedicated test button; turn associated loads on and off |
| Time Out Options | 1 minute (Intended for use in high-activity, briefly occupied areas only); 5 minutes; 15 minutes (default setting); 30 minutes |
| Auto-On Options | “Enabled” – Sensor turns lights ON and OFF automatically – default setting “Disabled” – Lights must be turned ON manually from a switching device. Sensor turns lights OFF automatically |
| Sensitivity Options | Low Activity (default setting); Medium Activity; High Activity |
| Certifications | cULus Listed, FCC certified, IC certified, Meets CA (U.S.A.) Energy Commission Title 24 requirements |
| Warranty | 1 year |

Dimensions In (mm)

Coverage Patterns



* Sensor mounting shown at 7 ft (2.1 m). Mounting height should be between 6 and 8 ft (1.6 and 2.4 m).