

H-MOSS[®] Occupancy Sensors

WL-Series Wireless Controls - Hallway Mount Sensor

HUBBELL[®]
Wiring Systems



Hubbell's wall-mounted hallway occupancy/vacancy sensor automatically controls lights through RF communication with compatible switching devices. The sensor utilizes an advanced passive infrared sensor that detects the movement of heat from people within an area to determine when the space is occupied. The sensor then wirelessly transmits the appropriate commands to the associated control devices to turn the lights on or off automatically. It combines both convenience and exceptional energy savings potential along with ease of installation.



WLP150H

Key Features

- 2 settings available: Auto-On/Auto-Off and Manual-On/Auto-Off for use with WLS1278
- Simplified 2 button, 6-second press and hold, commissioning procedure
- Passive infrared motion detection with advanced digital signal processing for fine motion detection
- Adjustments available for Timeout, Activity, and Auto-On settings
- Accessible test buttons make setup easy
- Lens illuminates during test mode to verify coverage
- Multiple sensors can be added for extended coverage—refer to product specification submittal of receiving device to determine system limits
- 10-year battery life design

Communication Frequency

- 431.0 – 437.0 MHz
- Lutron[®] Clear Connect_{TM} RF technology enabled

Coverage Type

- Hall way - up to 150 linear ft.

Receiving Devices WL-Series Wireless Controls



WLS1278 Series
Wireless Switches



WLC316R
Wireless Control Unit



*Clear Connect_{TM} is a registered trademark of Lutron Electronics Co., Inc.



H-MOSS[®] Occupancy Sensors

WL-Series Wireless Controls - Hallway Mount Sensor



Wireless Wall Mount Hallway Sensor

- Designed to mount at the end of a hallway with a clear view down the length of a hall.
- Detection at longer distances is best when motion occurs at right angles to the sensor.
- Multiple sensors can be used to extend coverage.



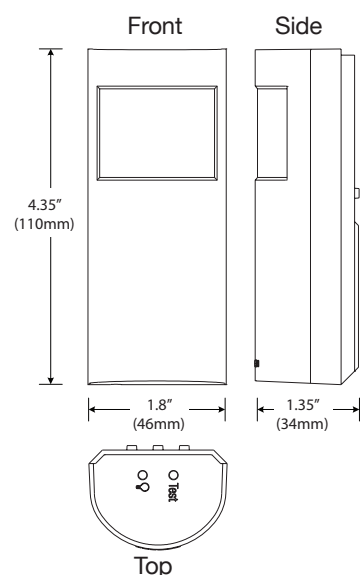
Description	Catalog Number
Hallway - up to 150 linear ft, White	WLP150H

Compatible Controls: WSL1278xx switch, WLC316R control unit, or any Lutron Clear Connect Enabled Control Device

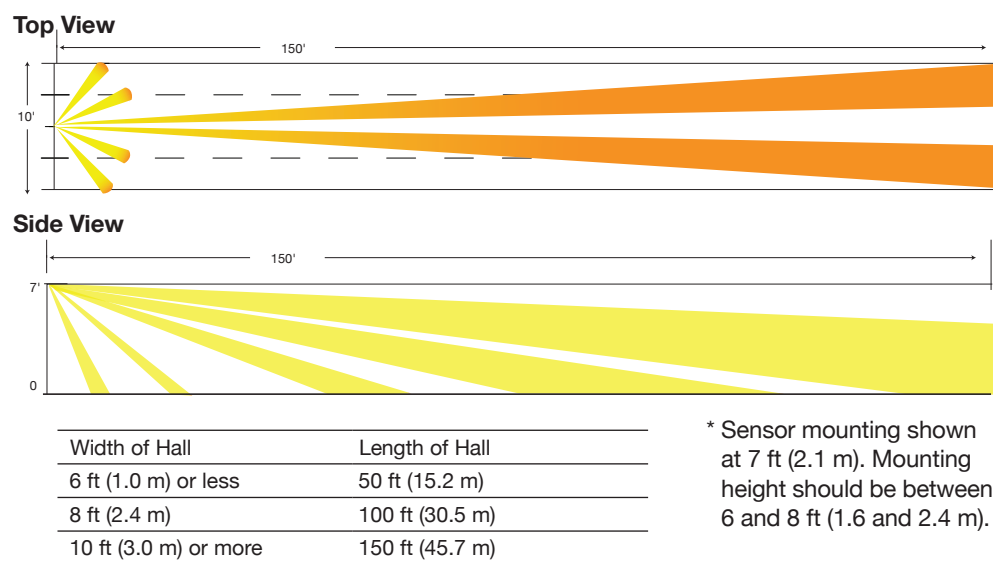
Specifications

Electrical	Operating voltage: 3 V _{DC} Operating current: 14 μ A nominal 10-year battery life design Supplied with one CR 123 lithium battery Non-volatile memory (saved changes are stored during battery change)
Construction	High impact, UL 94-5V plastic
Operating Environment	Indoor use only Operating temperature: 32 °F to 104 °F (0 °C to 40 °C)
Range	RF range is 30 ft (10 m) obstructed , 60 ft (18 m) line of sight
Sensor Coverage Test	Dedicated test button Lens illuminates orange in response to motion during test mode
Wireless Communication Test	Dedicated test button; turn associated loads on and off
Time Out Options	1 minute (Intended for use in high-activity, briefly occupied areas only); 5 minutes; 15 minutes (default setting); 30 minutes
Auto-On Options	“Enabled” – Sensor turns lights ON and OFF automatically – default setting “Disabled” – Lights must be turned ON manually from a switching device. Sensor turns lights OFF automatically
Sensitivity Options	Low Activity (default setting); Medium Activity; High Activity
Certifications	cULus Listed, FCC certified, IC certified, Meets CA (U.S.A.) Energy Commission Title 24 requirements
Warranty	1 year

Dimensions In (mm)



Coverage Patterns



* Sensor mounting shown at 7 ft (2.1 m). Mounting height should be between 6 and 8 ft (1.6 and 2.4 m).