

# H-MOSS<sup>®</sup> Occupancy Sensors

## WL-Series Wireless Controls - Switches and Multi-Location Accessory Switches

**HUBBELL**<sup>®</sup>  
Wiring Systems



Hubbell's WL-series wireless wall switch provides an easy method for reducing energy usage. This switch communicates wirelessly to corresponding WL-series wireless controls such as the WLP450C and any other WL-series sensor. This wireless switch also works with accessory switches to support three and four way applications.

The WL-series wall switch is dual-voltage 120 or 277V capable and doesn't require a neutral connection. The supplied load adaptor maintains support for the latest lighting technologies such as CFL and LED. The switch is also equipped with an easily accessible service switch for safe lamp replacement.

### Key Features

- No neutral required, no leakage to ground
- Uses conventional 3-way and 4-way wiring.
- Controls include Service Switch for safe lamp replacement.
- Load capacity of 8A lighting, 3A fan
- Power failure memory: If power is interrupted, the control will return to its previously set level prior to interruption.
- Tested to withstand electrostatic discharge without damage or memory loss, in accordance with IEC 61000-4-2.
- Tested to withstand surge voltages without damage or loss of operation, in accordance with IEEE C62.41-1991 Recommended Practice on Surge Voltages in Low-Voltage AC Power Circuits
- Controls always operate locally and do not require system control.
- Receives wireless inputs from up to three WL-series occupancy/vacancy sensors, and one wireless daylight sensor
- Multiple location control from Switch and up to 9 Accessory Switch(es).
- Requires a 1-gang U.S. wallbox. 3½ in (89 mm) deep recommended, 2¼ in (57 mm) deep minimum.
- Green indicator light.



WLS1278W



WLS120W

### Communication Frequency

- 431.0 – 437.0 MHz
- Lutron<sup>®</sup> Clear Connect<sup>™</sup> RF technology enabled

### Transmitting Devices WL-Series Wireless Controls



WLP450C Wireless Ceiling Sensor



WLP3000W, WLP2500W and WLP150H Wireless Wall Mount Sensors



WLDH Wireless Daylight Sensor



\*Clear Connect<sup>™</sup> is a registered trademark of Lutron Electronics Co., Inc.



# H-MOSS<sup>®</sup> Occupancy Sensors

WL-Series Wireless Controls -  
Switches and Multi-Location Accessory Switches



## Wireless Switches Ordering Information



Description	Color	Catalog Number
8 A Lighting, 3 A Fan (1/10 HP motor, 120 V only), Spec Grade Electronic Switch 120–277V , NO NEUTRAL WIRE REQUIRED	Ivory	<b>WLS1278I</b>
	White	<b>WLS1278W</b>
Accessory Switch 120V	Ivory	<b>WLAS120I</b>
	White	<b>WLAS120W</b>
Accessory Switch 277V	Ivory	<b>WLAS277I</b>
	White	<b>WLAS277W</b>



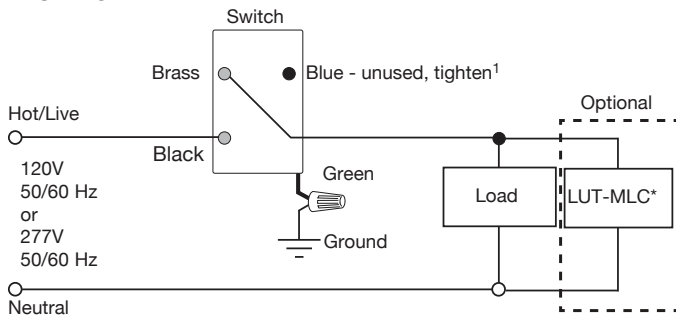
Compatible Transmitters: WLP series and WLDH sensors any Lutron Clear Connect Enabled Sensor

## Specifications

<b>Electrical</b>	Operating voltage: 120 / 277V - 50 / 60 Hz Green indicator light
<b>Operating Environment</b>	Indoor use only Ambient operating temperature: 32 °F to 104 °F (0 °C to 40 °C), Relative humidity: 0% to 90% humidity, non-condensing
<b>Wire Size</b>	20 to 16 AWG (0.5 to 1.5 mm <sup>2</sup> ) solid or stranded wire
<b>Capacity</b>	Up to 9 WLAS accessory switches can be configured to work together with one WLS1278.
<b>Range</b>	RF range is 30 ft (10 m) obstructed , 60 ft (18 m) line of sight
<b>Certifications</b>	UL Listed. CSA Certified. FCC Approved. Complies with the limits for a Class B digital device, pursuant to Part 15 of the FCC Rules. Industry Canada Certified
<b>Warranty</b>	1 year

## Wiring Diagram

### Single Location Installation WLS1278xx\*



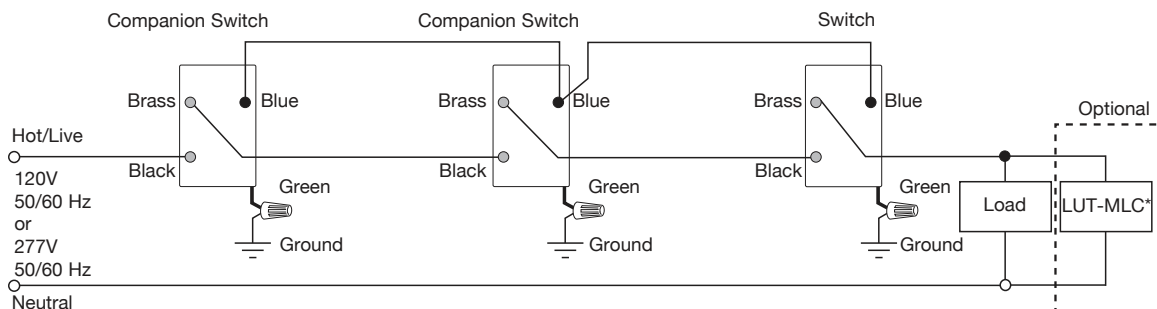
\* The included LUT-MLC ensures proper function when fluorescent, CFL, or LED loads are used. Install the LUT-MLC inside a load fixture or in a separate J-box of the circuit.

¹ When using controls in single location installations, tighten the blue terminal without any wires attached. DO NOT connect the blue terminal to any other wiring or to ground.

² Up to 9 Accessory Switches may be connected to the Wireless Switch. Total blue terminal wire length may be up to 250 ft (76 m).

³ Requires WLAS120 for 120V applications, and WLAS277 for 277V applications.

### Multi-Location Installation<sup>2</sup> with WLAS1278xx or WLAS277xx<sup>3</sup>



**HUBBELL<sup>®</sup>**  
Wiring Systems

[www.hubbell-wiring.com](http://www.hubbell-wiring.com)

