

# Hubbell USB Charger Receptacle



## More Power – Charge Faster

### Charge Devices Simultaneously!

Two USB Ports  
3 Amps, 5 Volt DC

LED Power Indicator

Duplex Tamper-Resistant Outlets

- Tablets
- Smartphones
- MP3 players
- Apple® iPad®
- Apple® iPod®
- Apple® iPhone®

Hubbell's USB Charger Receptacle provides both USB and AC electrical power in a standard single gang electrical opening. Designed to provide more charging options for personal electronics.

Ideal for use in renovation, new construction and to add capacity for USB charging. Especially suited for use in hotels, hospitals, offices, homes and more.



Schools



Hotels



Offices



Residential



Healthcare





**ORDERING INFORMATION**

Description	Color	15A 125V AC	20A 125V AC
USB Charger Tamper-Resistant Receptacle, Two USB Type 2.0 Ports 3 Amp, 5 Volt DC, 15 or 20 Amp, 125 Volt AC Decorator Duplex	Black	<b>USB15X2BK</b>	<b>USB20X2BK</b>
	Brown	<b>USB15X2</b>	<b>USB20X2</b>
	Gray	<b>USB15X2GY</b>	<b>USB20X2GY</b>
	Ivory	<b>USB15X2I</b>	<b>USB20X2I</b>
	Light Almond	<b>USB15X2LA</b>	<b>USB20X2LA</b>
	White	<b>USB15X2W</b>	<b>USB20X2W</b>
Hospital Grade <span style="color: green;">●</span> USB Charger Tamper-Resistant Receptacle, Two USB Type 2.0 Ports 3 Amp, 5 Volt DC, 15 or 20 Amp, 125 Volt AC Decorator Duplex	Black	<b>USB8200BK</b>	<b>USB8300BK</b>
	Brown	<b>USB8200</b>	<b>USB8300</b>
	Gray	<b>USB8200GY</b>	<b>USB8300GY</b>
	Ivory	<b>USB8200I</b>	<b>USB8300I</b>
	Light Almond	<b>USB8200LA</b>	<b>USB8300LA</b>
	Red	<b>USB8200R</b>	<b>USB8300R</b>
White	<b>USB8200W</b>	<b>USB8300W</b>	



**ENERGY INFORMATION**

120V AC Input Power	Energy consumed when USBs are not in use		Energy consumed when USBs are fully used	
	No Load Current	.0013A	Full Load Current	0.323A
	No Load Watts	.63W	Full Load Watts	19.7W

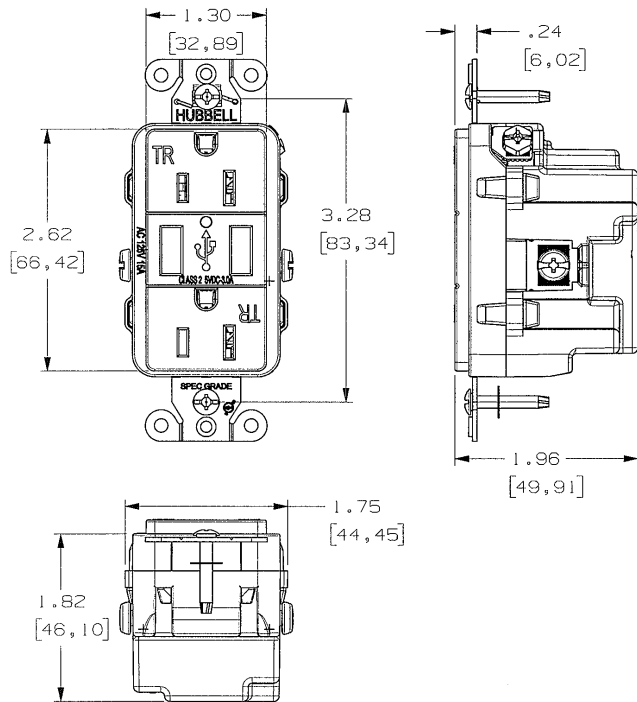
Time to charge an iPad® or similar tablet with the Hubbell USB Charger, from 0% battery charge to 100%, is estimated to be between 5 to 6 hours.

Estimated annual cost to use a USB Charger Receptacle, charging 2 devices (tablets drawing maximum power), for 6 hours a day, at a Kilowatt cost of \$0.10.

Hours of use (6)	x	kilowatt cost (\$0.10)	x	kilowatt usage per hour (19.7w/1000*)	x	365 days =	\$4.31
Hours of non-use (18)	x	kilowatt cost (\$0.10)	x	kilowatt usage per hour (.63w/1000*)	x	365 days =	\$0.41
Total hours (24)						Total cost per year	\$4.72

\*To convert watts to kilowatts, divide watts by 1000.

**DIMENSIONS**



Note: For use with boxes deeper than 1.5" with internal AC/MC clamps.

Apple, iPad, iPod and iPhone are registered trademarks of Apple, inc.

**FEATURES**

- Two USB ports 3 Amp, 5V DC, Type A, 2.0
- Tamper-Resistant (TR) decorator duplex
- Green LED indicator to show USB power available
- Impact and chemical resistant
- Back and side wire for solid or stranded wire
- Flush fit design

**SPECIFICATIONS**

- Electrical ratings: 15 or 20 Amp, 125V AC, USB 3 Amp, 5V DC
- Input voltage: 125V AC, 60Hz
- Circuit feed-through 20 Amp, 125 Volt
- #10-14 AWG gauge wire terminals
- Dielectric withstand: 2000V
- Operating temperature: maximum continuous 75° C; minimum -40° C (without impact)
- Meets UL94 for 5V flammability rating
- Complies with battery charging specification USB BC1.2
- Compatible with USB 1.1/2.0/3.0 devices, including Apple products
- Complies with Part 15 of the FCC rules
- cULus listed to UL498 and UL1310