

Hubbell Gives You

More Ways to Charge Faster!



Device Charging Centers

USB Stainless Steel Ports Rated for 10,000 Insertions and Removals

NEW

Port Door Switch,
Shuts Off Power
When Not-in-Use

Charge Devices Simultaneously!

Tablets
Smartphones
MP3 players
Apple® iPad®
Apple® iPod®
Apple® iPhone®

Four USB Ports
5 Amps, 5 Volt DC

Two USB Ports
3.8 Amps, 5 Volt DC

LED Power
Indicator

Duplex Tamper-
Resistant Outlets

Hubbell's USB Charger Receptacle and 4 Port Outlet provide more charging options for personal electronics: phones, tablets, etc.

Ideal for use in renovation, new construction and to add capacity for USB charging. Especially suited for use in hotels, hospitals, offices, homes and more.



Offices



Hotels



Schools



Healthcare



Residential



USB DUPLEX RECEPTACLE

Description	Color	15A 125V AC	20A 125V AC
USB Charger Tamper-Resistant Receptacle, Two USB Type 2.0 Ports 3.8 Amp, 5 Volt DC, 15 or 20 Amp, 125 Volt AC Decorator Duplex	Black	USB15X2BK	USB20X2BK
	Brown	USB15X2	USB20X2
	Gray	USB15X2GY	USB20X2GY
	Ivory	USB15X2I	USB20X2I
	Light Almond	USB15X2LA	USB20X2LA
	White	USB15X2W	USB20X2W
Hospital Grade ● USB Charger Tamper-Resistant Receptacle, Two USB Type 2.0 Ports 3.8 Amp, 5 Volt DC, 15 or 20 Amp, 125 Volt AC Decorator Duplex	Black	USB8200BK	USB8300BK
	Brown	USB8200	USB8300
	Gray	USB8200GY	USB8300GY
	Ivory	USB8200I	USB8300I
	Light Almond	USB8200LA	USB8300LA
	Red	USB8200R	USB8300R
White	USB8200W	USB8300W	

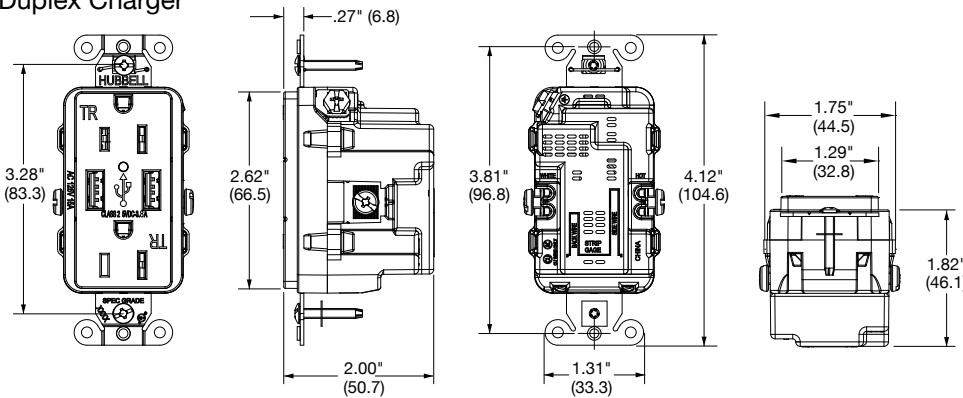


USB 4 PORT OUTLET

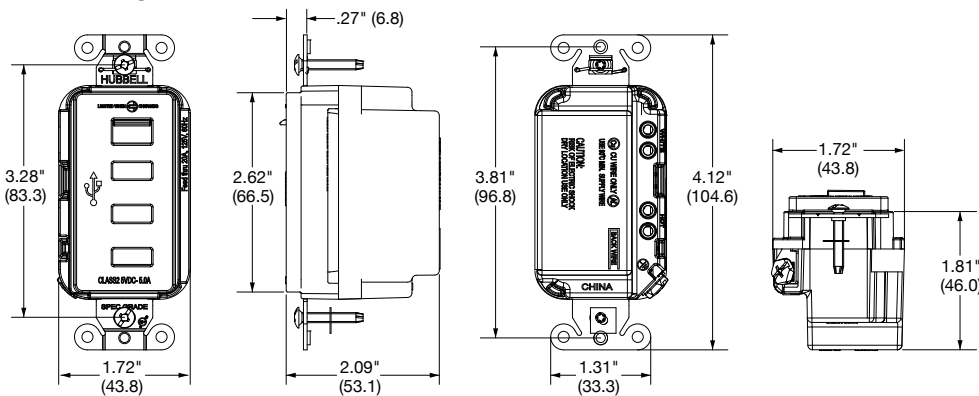
Description	Color	Catalog Number
USB Charger 4 Port Outlet, Four USB Type 2.0 Ports, 5 Amp, 5 Volt DC, Style Line® Decorator	Black	USB4BK
	Brown	USB4
	Gray	USB4GY
	Ivory	USB4I
	Light Almond	USB4LA
White	USB4W	

DIMENSIONS

Duplex Charger



4 Port Charger



Note: For use with boxes deeper than 1.5" with internal AC/MC clamps.

Apple, iPad, iPod and iPhone are registered trademarks of Apple, inc.

SPECIFICATIONS

- Rating:
 - Duplex USB: 3.8 Amp, 5V DC
 - 4 Port USB: 5 Amp, 5V DC
- Input voltage: 125V AC, 60Hz
- Circuit feed-through 20 Amp, 125 Volt
- #14-10 AWG gauge wire terminals
- Dielectric withstand: 1500V AC for 1 minute
- Operating temperature: maximum continuous 75° C; minimum -40° C (without impact)
- Meets UL94 for 5V flammability rating
- Complies with battery charging specification USB BC1.2
- Compatible with USB 1.1/2.0/3.0 devices, including Apple products
- Complies with Part 15 of the FCC rules