



Features

- Audible SNAP, indicates solid connection
- Compliant with NEC® 406.12 and NEC® 517-18(c)
- Patented AUTOGUARD® self test technology
- Triple wipe construction

Ordering Information

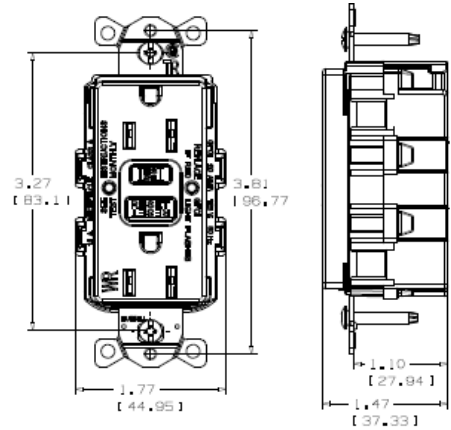
| Description | Color | UPC | Catalog Number |
|--|-------|--------------|----------------|
| 15A, 125V, Style Line®, SNAPConnect®, AUTOGUARD® self test GFCI receptacle, flush face | Brown | 883778600012 | GFRST15SNAP |

Listings

UL Listed - Canadian and U.S.
Meets ADA Standards
Meets all NEC® requirements
CSA Certified
NEMA® WD-6 Compliant

Specifications

| | |
|-----------------|-------------------|
| Face | Nylon |
| Base | Nylon |
| Power Contacts | Brass |
| Ground Contacts | Brass |
| Mounting Strap | Zinc plated steel |
| Mounting Screws | Zinc plated steel |



Complementary Products

Wallplates for duplex openings

SNAP1RA

Solid Right Angle Pigtailed Terminal

Stranded Right Angle Pigtailed Terminal

Online Resources

eCatalog