



Features

- Audible SNAP, indicates solid connection
- Compliant with NEC® 406.12 and NEC® 517-18(c)
- Patented AUTOGUARD® self test technology
- Triple wipe construction

Ordering Information

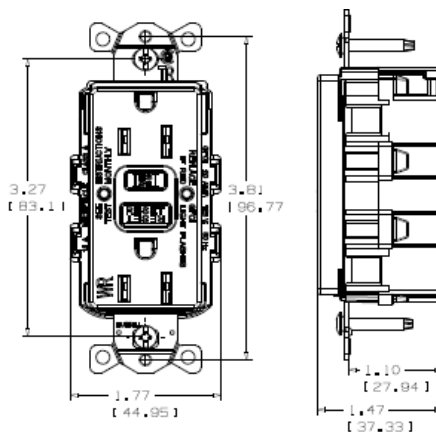
Description	Color	UPC	Catalog Number
20A, 125V, Style Line®, SNAPConnect®, AUTOGUARD® self test GFCI receptacle, flush face	Ivory	883778124532	GFRST20SNAPI

Listings

UL Listed - Canadian and U.S.
Meets ADA Standards
Meets all NEC® requirements
CSA Certified
NEMA® WD-6 Compliant

Specifications

Face	Nylon
Base	Nylon
Power Contacts	Brass
Ground Contacts	Brass
Mounting Strap	Zinc plated steel
Mounting Screws	Zinc plated steel



Complementary Products

Wallplates for duplex openings

SNAP1RA

Solid Right Angle Pigtailed Terminal

Stranded Right Angle Pigtailed Terminal

Online Resources

eCatalog