



## Features

- Audible SNAP, indicates solid connection
- Compliant with NEC® 406.12 and NEC® 517-18(c)
- Patented AUTOGUARD® self test technology
- Triple wipe construction

## Ordering Information

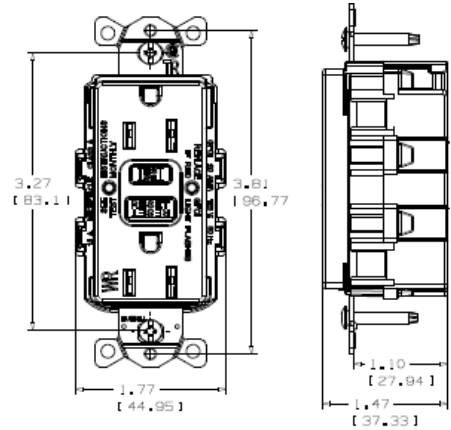
Description	Color	UPC	Catalog Number
20A, 125V, Style Line®, SNAPConnect®, AUTOGUARD® self test GFCI receptacle, flush face	Brown	883778124549	GFRST20SNAP

## Listings

UL Listed - Canadian and U.S.  
Meets ADA Standards  
Meets all NEC® requirements  
CSA Certified  
NEMA® WD-6 Compliant

## Specifications

Face	Nylon
Base	Nylon
Power Contacts	Brass
Ground Contacts	Brass
Mounting Strap	Zinc plated steel
Mounting Screws	Zinc plated steel



## Complementary Products

Wallplates for duplex openings

SNAP1RA

Solid Right Angle Pigtailed Terminal

Stranded Right Angle Pigtailed Terminal

## Online Resources

eCatalog