

Ground Fault Products
Commercial Tamper-Resistant and Weather
Resistant GFCI Receptacles

HUBBELL



Features

- Audible SNAP, indicates solid connection
- Patented shutter design for tamper-resistant protection
- Meets NEC requirements for TR (517-18c) and WR (406.9), UV and corrosion resistance for harsh and damp applications
- Patented AUTOGUARD® self test technology
- Protects against line and load reversal, no power to the face or downstream if device is miswired

Ordering Information

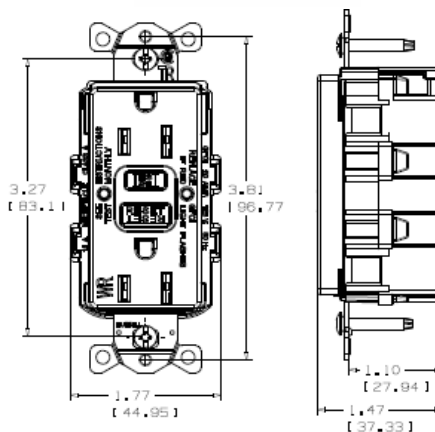
| Description | Color | UPC | Catalog Number |
|--|-------|--------------|----------------|
| 20A, 125V, Style Line®, hospital grade, SNAPConnect®, AUTOGUARD® self test GFCI receptacle, tamper-resistant and weather resistant, flush face, back and side wired, multiple drive screws | Brown | 783585486505 | GFTWRST83SNAP |

Listings

UL Listed - Canadian and U.S.
Meets ADA Standards
Meets all NEC® requirements
CSA Certified
NEMA® WD-6 Compliant

Specifications

| | |
|-----------------|-------------------|
| Face | Nylon |
| Base | Nylon |
| Power Contacts | Brass |
| Ground Contacts | Brass |
| Mounting Strap | Brass |
| Mounting Screws | Zinc plated steel |



Complementary Products

| | |
|---|---|
| Wallplates for duplex openings SNAP1RA | Solid Right Angle Pigtailed Terminal Stranded Right Angle Pigtailed Terminal |
|---|---|

Online Resources

Customer Use Drawing
eCatalog
Installation Instructions

Dimensions in Inches (mm)

Hubbell Wiring Device-Kellems • Hubbell Incorporated (Delaware) • 40 Waterview Drive • Shelton, CT 06484

Phone (800) 288-6000 • Fax (800) 255-1031 • Specifications subject to change without notice.

